

民生機器および産業機器用チップコイル(チップインダクタ) LQP02TN□□□□02□ 参考図

1. 適用範囲

当参考図は、チップコイル(チップインダクタ)LQP02TN_02シリーズに適用します。

1.1 適用用途：

- ・電力機器：再生エネルギー発電機器・熱エネルギー機器・EV充電機器などといった電力機器で、かつ、その機能が人命及び財産の保護に直接的にかかわらない機器に使用できる製品
- ・産業機器：基地局・製造機器・工業用ロボット機器・計測機器といった産業機器で、かつ、その機能が人命及び財産の保護に直接的にかかわらない機器に使用できる製品
- ・医療機器(GHTF Class C)*インプラント、手術・自動投与用途を除く：国際分類クラスGHTF Class Cの医療機器で、かつ、その不具合が人体へのリスクが比較的高いと考えられる機器に使用できる製品
- ・医療機器(GHTF Class A及びB)：国際分類クラスGHTFでClass A及びClass Bで規定される医療機器で、かつ、その機能が人命及び財産の保護に直接的にかかわらない機器に使用できる製品
- ・民生機器：家電機器・AV機器・通信機器・情報機器・事務機器・家庭用ロボット機器といった民生機器、かつ、その機能が人命及び財産の保護に直接的にかかわらない機器に使用できる製品

1.2 適用外用途：

当参考図の「用途の限定」に書かれている用途

2. 品番の構成

(例)

| | | | | | | | | | |
|------|----|---------|---------|----|---------|-----|----|------|---|
| LQ | P | 02 | T | N | ON2 | B | 0 | 2 | D |
| 識別記号 | 構造 | 寸法(L×W) | 用途および特性 | 分類 | インダクタンス | 許容差 | 性能 | 電極仕様 | 包装仕様コード |
| | | | | | | | | | D : 8 mm幅、紙テープ L : 4 mm幅、プラスチックテープ *B : バラ品 |

*B：バラ品の対応もできます(テーピング状態：ただしリールなしの製品をポリ袋に入れます)。

3. 品番および定格

| | |
|--------|--------------|
| 使用温度範囲 | -55°C～+125°C |
| 保存温度範囲 | -55°C～+125°C |

| 貴社品番 | 弊社品番 | インダクタンス | | Q (以上) | 直流抵抗 (Ω以下) | 自己共振周波数 (MHz) | | 定格電流 (mA) |
|------|----------------|-------------|-------------|-----------|---------------|------------------|-------|--------------|
| | | 公称値 (nH) | 許容差 | | | 下限値 | *参考値 | |
| | LQP02TN0N2B02D | 0.2 | B : ±0.1 nH | - | 0.50 | 20000 | 20000 | 320 |
| | LQP02TN0N2B02L | 0.2 | B : ±0.1 nH | - | 0.50 | 20000 | 20000 | 320 |
| | LQP02TN0N2C02D | 0.2 | C : ±0.2 nH | - | 0.50 | 20000 | 20000 | 320 |
| | LQP02TN0N2C02L | 0.2 | C : ±0.2 nH | - | 0.50 | 20000 | 20000 | 320 |
| | LQP02TN0N3B02D | 0.3 | B : ±0.1 nH | - | 0.50 | 20000 | 20000 | 320 |
| | LQP02TN0N3B02L | 0.3 | B : ±0.1 nH | - | 0.50 | 20000 | 20000 | 320 |
| | LQP02TN0N3C02D | 0.3 | C : ±0.2 nH | - | 0.50 | 20000 | 20000 | 320 |
| | LQP02TN0N3C02L | 0.3 | C : ±0.2 nH | - | 0.50 | 20000 | 20000 | 320 |
| | LQP02TN0N4B02D | 0.4 | B : ±0.1 nH | 8 | 0.50 | 18000 | 20000 | 320 |
| | LQP02TN0N4B02L | 0.4 | B : ±0.1 nH | 8 | 0.50 | 18000 | 20000 | 320 |
| | LQP02TN0N4C02D | 0.4 | C : ±0.2 nH | 8 | 0.50 | 18000 | 20000 | 320 |
| | LQP02TN0N4C02L | 0.4 | C : ±0.2 nH | 8 | 0.50 | 18000 | 20000 | 320 |
| | LQP02TN0N5B02D | 0.5 | B : ±0.1 nH | 8 | 0.50 | 18000 | 20000 | 320 |
| | LQP02TN0N5B02L | 0.5 | B : ±0.1 nH | 8 | 0.50 | 18000 | 20000 | 320 |
| | LQP02TN0N5C02D | 0.5 | C : ±0.2 nH | 8 | 0.50 | 18000 | 20000 | 320 |
| | LQP02TN0N5C02L | 0.5 | C : ±0.2 nH | 8 | 0.50 | 18000 | 20000 | 320 |

| 貴社品番 | 弊社品番 | インダクタンス | | Q (以上) | 直流抵抗 (Ω 以下) | 自己共振周波数 (MHz) | | 定格電流 (mA) |
|------|----------------|-------------|------------------|-----------|------------------------|------------------|-------|--------------|
| | | 公称値 (nH) | 許容差 | | | 下限値 | *参考値 | |
| | LQP02TN0N6B02D | 0.6 | B : ± 0.1 nH | 8 | 0.50 | 17000 | 20000 | 320 |
| | LQP02TN0N6B02L | 0.6 | B : ± 0.1 nH | 8 | 0.50 | 17000 | 20000 | 320 |
| | LQP02TN0N6C02D | 0.6 | C : ± 0.2 nH | 8 | 0.50 | 17000 | 20000 | 320 |
| | LQP02TN0N6C02L | 0.6 | C : ± 0.2 nH | 8 | 0.50 | 17000 | 20000 | 320 |
| | LQP02TN0N7B02D | 0.7 | B : ± 0.1 nH | 8 | 0.50 | 16500 | 20000 | 320 |
| | LQP02TN0N7B02L | 0.7 | B : ± 0.1 nH | 8 | 0.50 | 16500 | 20000 | 320 |
| | LQP02TN0N7C02D | 0.7 | C : ± 0.2 nH | 8 | 0.50 | 16500 | 20000 | 320 |
| | LQP02TN0N7C02L | 0.7 | C : ± 0.2 nH | 8 | 0.50 | 16500 | 20000 | 320 |
| | LQP02TN0N8B02D | 0.8 | B : ± 0.1 nH | 8 | 0.50 | 16500 | 20000 | 320 |
| | LQP02TN0N8B02L | 0.8 | B : ± 0.1 nH | 8 | 0.50 | 16500 | 20000 | 320 |
| | LQP02TN0N8C02D | 0.8 | C : ± 0.2 nH | 8 | 0.50 | 16500 | 20000 | 320 |
| | LQP02TN0N8C02L | 0.8 | C : ± 0.2 nH | 8 | 0.50 | 16500 | 20000 | 320 |
| | LQP02TN0N9B02D | 0.9 | B : ± 0.1 nH | 8 | 0.50 | 13000 | 16100 | 320 |
| | LQP02TN0N9B02L | 0.9 | B : ± 0.1 nH | 8 | 0.50 | 13000 | 16100 | 320 |
| | LQP02TN0N9C02D | 0.9 | C : ± 0.2 nH | 8 | 0.50 | 13000 | 16100 | 320 |
| | LQP02TN0N9C02L | 0.9 | C : ± 0.2 nH | 8 | 0.50 | 13000 | 16100 | 320 |
| | LQP02TN1N0B02D | 1.0 | B : ± 0.1 nH | 8 | 0.60 | 13000 | 15900 | 220 |
| | LQP02TN1N0B02L | 1.0 | B : ± 0.1 nH | 8 | 0.60 | 13000 | 15900 | 220 |
| | LQP02TN1N0C02D | 1.0 | C : ± 0.2 nH | 8 | 0.60 | 13000 | 15900 | 220 |
| | LQP02TN1N0C02L | 1.0 | C : ± 0.2 nH | 8 | 0.60 | 13000 | 15900 | 220 |
| | LQP02TN1N1B02D | 1.1 | B : ± 0.1 nH | 8 | 0.60 | 12500 | 15300 | 220 |
| | LQP02TN1N1B02L | 1.1 | B : ± 0.1 nH | 8 | 0.60 | 12500 | 15300 | 220 |
| | LQP02TN1N1C02D | 1.1 | C : ± 0.2 nH | 8 | 0.60 | 12500 | 15300 | 220 |
| | LQP02TN1N1C02L | 1.1 | C : ± 0.2 nH | 8 | 0.60 | 12500 | 15300 | 220 |
| | LQP02TN1N2B02D | 1.2 | B : ± 0.1 nH | 8 | 0.60 | 12500 | 15300 | 220 |
| | LQP02TN1N2B02L | 1.2 | B : ± 0.1 nH | 8 | 0.60 | 12500 | 15300 | 220 |
| | LQP02TN1N2C02D | 1.2 | C : ± 0.2 nH | 8 | 0.60 | 12500 | 15300 | 220 |
| | LQP02TN1N2C02L | 1.2 | C : ± 0.2 nH | 8 | 0.60 | 12500 | 15300 | 220 |
| | LQP02TN1N3B02D | 1.3 | B : ± 0.1 nH | 8 | 0.60 | 11500 | 14800 | 220 |
| | LQP02TN1N3B02L | 1.3 | B : ± 0.1 nH | 8 | 0.60 | 11500 | 14800 | 220 |
| | LQP02TN1N3C02D | 1.3 | C : ± 0.2 nH | 8 | 0.60 | 11500 | 14800 | 220 |
| | LQP02TN1N3C02L | 1.3 | C : ± 0.2 nH | 8 | 0.60 | 11500 | 14800 | 220 |
| | LQP02TN1N4B02D | 1.4 | B : ± 0.1 nH | 8 | 0.60 | 11500 | 14400 | 220 |
| | LQP02TN1N4B02L | 1.4 | B : ± 0.1 nH | 8 | 0.60 | 11500 | 14400 | 220 |
| | LQP02TN1N4C02D | 1.4 | C : ± 0.2 nH | 8 | 0.60 | 11500 | 14400 | 220 |
| | LQP02TN1N4C02L | 1.4 | C : ± 0.2 nH | 8 | 0.60 | 11500 | 14400 | 220 |
| | LQP02TN1N5B02D | 1.5 | B : ± 0.1 nH | 8 | 0.60 | 9500 | 11700 | 220 |
| | LQP02TN1N5B02L | 1.5 | B : ± 0.1 nH | 8 | 0.60 | 9500 | 11700 | 220 |
| | LQP02TN1N5C02D | 1.5 | C : ± 0.2 nH | 8 | 0.60 | 9500 | 11700 | 220 |
| | LQP02TN1N5C02L | 1.5 | C : ± 0.2 nH | 8 | 0.60 | 9500 | 11700 | 220 |
| | LQP02TN1N6B02D | 1.6 | B : ± 0.1 nH | 8 | 0.60 | 9500 | 12000 | 220 |
| | LQP02TN1N6B02L | 1.6 | B : ± 0.1 nH | 8 | 0.60 | 9500 | 12000 | 220 |
| | LQP02TN1N6C02D | 1.6 | C : ± 0.2 nH | 8 | 0.60 | 9500 | 12000 | 220 |
| | LQP02TN1N6C02L | 1.6 | C : ± 0.2 nH | 8 | 0.60 | 9500 | 12000 | 220 |

| 貴社品番 | 弊社品番 | インダクタンス | | Q (以上) | 直流抵抗 (Ω 以下) | 自己共振周波数 (MHz) | | 定格電流 (mA) |
|------|----------------|-------------|------------------|-----------|------------------------|------------------|-------|--------------|
| | | 公称値 (nH) | 許容差 | | | 下限値 | *参考値 | |
| | LQP02TN1N7B02D | 1.7 | B : ± 0.1 nH | 8 | 0.70 | 9500 | 11800 | 200 |
| | LQP02TN1N7B02L | 1.7 | B : ± 0.1 nH | 8 | 0.70 | 9500 | 11800 | 200 |
| | LQP02TN1N7C02D | 1.7 | C : ± 0.2 nH | 8 | 0.70 | 9500 | 11800 | 200 |
| | LQP02TN1N7C02L | 1.7 | C : ± 0.2 nH | 8 | 0.70 | 9500 | 11800 | 200 |
| | LQP02TN1N8B02D | 1.8 | B : ± 0.1 nH | 8 | 0.70 | 9000 | 11300 | 200 |
| | LQP02TN1N8B02L | 1.8 | B : ± 0.1 nH | 8 | 0.70 | 9000 | 11300 | 200 |
| | LQP02TN1N8C02D | 1.8 | C : ± 0.2 nH | 8 | 0.70 | 9000 | 11300 | 200 |
| | LQP02TN1N8C02L | 1.8 | C : ± 0.2 nH | 8 | 0.70 | 9000 | 11300 | 200 |
| | LQP02TN1N9B02D | 1.9 | B : ± 0.1 nH | 8 | 0.75 | 9000 | 12000 | 200 |
| | LQP02TN1N9B02L | 1.9 | B : ± 0.1 nH | 8 | 0.75 | 9000 | 12000 | 200 |
| | LQP02TN1N9C02D | 1.9 | C : ± 0.2 nH | 8 | 0.75 | 9000 | 12000 | 200 |
| | LQP02TN1N9C02L | 1.9 | C : ± 0.2 nH | 8 | 0.75 | 9000 | 12000 | 200 |
| | LQP02TN2N0B02D | 2.0 | B : ± 0.1 nH | 8 | 0.75 | 9000 | 11100 | 200 |
| | LQP02TN2N0B02L | 2.0 | B : ± 0.1 nH | 8 | 0.75 | 9000 | 11100 | 200 |
| | LQP02TN2N0C02D | 2.0 | C : ± 0.2 nH | 8 | 0.75 | 9000 | 11100 | 200 |
| | LQP02TN2N0C02L | 2.0 | C : ± 0.2 nH | 8 | 0.75 | 9000 | 11100 | 200 |
| | LQP02TN2N1B02D | 2.1 | B : ± 0.1 nH | 8 | 0.75 | 9000 | 11200 | 200 |
| | LQP02TN2N1B02L | 2.1 | B : ± 0.1 nH | 8 | 0.75 | 9000 | 11200 | 200 |
| | LQP02TN2N1C02D | 2.1 | C : ± 0.2 nH | 8 | 0.75 | 9000 | 11200 | 200 |
| | LQP02TN2N1C02L | 2.1 | C : ± 0.2 nH | 8 | 0.75 | 9000 | 11200 | 200 |
| | LQP02TN2N2B02D | 2.2 | B : ± 0.1 nH | 8 | 0.75 | 7500 | 10000 | 200 |
| | LQP02TN2N2B02L | 2.2 | B : ± 0.1 nH | 8 | 0.75 | 7500 | 10000 | 200 |
| | LQP02TN2N2C02D | 2.2 | C : ± 0.2 nH | 8 | 0.75 | 7500 | 10000 | 200 |
| | LQP02TN2N2C02L | 2.2 | C : ± 0.2 nH | 8 | 0.75 | 7500 | 10000 | 200 |
| | LQP02TN2N3B02D | 2.3 | B : ± 0.1 nH | 8 | 0.75 | 7500 | 9700 | 200 |
| | LQP02TN2N3B02L | 2.3 | B : ± 0.1 nH | 8 | 0.75 | 7500 | 9700 | 200 |
| | LQP02TN2N3C02D | 2.3 | C : ± 0.2 nH | 8 | 0.75 | 7500 | 9700 | 200 |
| | LQP02TN2N3C02L | 2.3 | C : ± 0.2 nH | 8 | 0.75 | 7500 | 9700 | 200 |
| | LQP02TN2N4B02D | 2.4 | B : ± 0.1 nH | 8 | 0.75 | 7500 | 9500 | 200 |
| | LQP02TN2N4B02L | 2.4 | B : ± 0.1 nH | 8 | 0.75 | 7500 | 9500 | 200 |
| | LQP02TN2N4C02D | 2.4 | C : ± 0.2 nH | 8 | 0.75 | 7500 | 9500 | 200 |
| | LQP02TN2N4C02L | 2.4 | C : ± 0.2 nH | 8 | 0.75 | 7500 | 9500 | 200 |
| | LQP02TN2N5B02D | 2.5 | B : ± 0.1 nH | 8 | 0.80 | 7500 | 9300 | 200 |
| | LQP02TN2N5B02L | 2.5 | B : ± 0.1 nH | 8 | 0.80 | 7500 | 9300 | 200 |
| | LQP02TN2N5C02D | 2.5 | C : ± 0.2 nH | 8 | 0.80 | 7500 | 9300 | 200 |
| | LQP02TN2N5C02L | 2.5 | C : ± 0.2 nH | 8 | 0.80 | 7500 | 9300 | 200 |
| | LQP02TN2N6B02D | 2.6 | B : ± 0.1 nH | 8 | 0.80 | 7500 | 9100 | 200 |
| | LQP02TN2N6B02L | 2.6 | B : ± 0.1 nH | 8 | 0.80 | 7500 | 9100 | 200 |
| | LQP02TN2N6C02D | 2.6 | C : ± 0.2 nH | 8 | 0.80 | 7500 | 9100 | 200 |
| | LQP02TN2N6C02L | 2.6 | C : ± 0.2 nH | 8 | 0.80 | 7500 | 9100 | 200 |
| | LQP02TN2N7B02D | 2.7 | B : ± 0.1 nH | 8 | 0.80 | 7500 | 9200 | 200 |
| | LQP02TN2N7B02L | 2.7 | B : ± 0.1 nH | 8 | 0.80 | 7500 | 9200 | 200 |
| | LQP02TN2N7C02D | 2.7 | C : ± 0.2 nH | 8 | 0.80 | 7500 | 9200 | 200 |
| | LQP02TN2N7C02L | 2.7 | C : ± 0.2 nH | 8 | 0.80 | 7500 | 9200 | 200 |

| 貴社品番 | 弊社品番 | インダクタンス | | Q (以上) | 直流抵抗 (Ω 以下) | 自己共振周波数 (MHz) | | 定格電流 (mA) |
|------|----------------|-------------|------------------|-----------|------------------------|------------------|-------|--------------|
| | | 公称値 (nH) | 許容差 | | | 下限値 | *参考値 | |
| | LQP02TN2N8B02D | 2.8 | B : ± 0.1 nH | 8 | 1.10 | 7500 | 12000 | 200 |
| | LQP02TN2N8B02L | 2.8 | B : ± 0.1 nH | 8 | 1.10 | 7500 | 12000 | 200 |
| | LQP02TN2N8C02D | 2.8 | C : ± 0.2 nH | 8 | 1.10 | 7500 | 12000 | 200 |
| | LQP02TN2N8C02L | 2.8 | C : ± 0.2 nH | 8 | 1.10 | 7500 | 12000 | 200 |
| | LQP02TN2N9B02D | 2.9 | B : ± 0.1 nH | 8 | 1.10 | 7500 | 11800 | 200 |
| | LQP02TN2N9B02L | 2.9 | B : ± 0.1 nH | 8 | 1.10 | 7500 | 11800 | 200 |
| | LQP02TN2N9C02D | 2.9 | C : ± 0.2 nH | 8 | 1.10 | 7500 | 11800 | 200 |
| | LQP02TN2N9C02L | 2.9 | C : ± 0.2 nH | 8 | 1.10 | 7500 | 11800 | 200 |
| | LQP02TN3N0B02D | 3.0 | B : ± 0.1 nH | 8 | 1.10 | 7500 | 11800 | 200 |
| | LQP02TN3N0B02L | 3.0 | B : ± 0.1 nH | 8 | 1.10 | 7500 | 11800 | 200 |
| | LQP02TN3N0C02D | 3.0 | C : ± 0.2 nH | 8 | 1.10 | 7500 | 11800 | 200 |
| | LQP02TN3N0C02L | 3.0 | C : ± 0.2 nH | 8 | 1.10 | 7500 | 11800 | 200 |
| | LQP02TN3N1B02D | 3.1 | B : ± 0.1 nH | 8 | 1.30 | 7500 | 12000 | 180 |
| | LQP02TN3N1B02L | 3.1 | B : ± 0.1 nH | 8 | 1.30 | 7500 | 12000 | 180 |
| | LQP02TN3N1C02D | 3.1 | C : ± 0.2 nH | 8 | 1.30 | 7500 | 12000 | 180 |
| | LQP02TN3N1C02L | 3.1 | C : ± 0.2 nH | 8 | 1.30 | 7500 | 12000 | 180 |
| | LQP02TN3N2B02D | 3.2 | B : ± 0.1 nH | 8 | 1.30 | 7500 | 10400 | 180 |
| | LQP02TN3N2B02L | 3.2 | B : ± 0.1 nH | 8 | 1.30 | 7500 | 10400 | 180 |
| | LQP02TN3N2C02D | 3.2 | C : ± 0.2 nH | 8 | 1.30 | 7500 | 10400 | 180 |
| | LQP02TN3N2C02L | 3.2 | C : ± 0.2 nH | 8 | 1.30 | 7500 | 10400 | 180 |
| | LQP02TN3N3B02D | 3.3 | B : ± 0.1 nH | 8 | 1.30 | 7500 | 10400 | 180 |
| | LQP02TN3N3B02L | 3.3 | B : ± 0.1 nH | 8 | 1.30 | 7500 | 10400 | 180 |
| | LQP02TN3N3C02D | 3.3 | C : ± 0.2 nH | 8 | 1.30 | 7500 | 10400 | 180 |
| | LQP02TN3N3C02L | 3.3 | C : ± 0.2 nH | 8 | 1.30 | 7500 | 10400 | 180 |
| | LQP02TN3N4B02D | 3.4 | B : ± 0.1 nH | 8 | 1.30 | 7500 | 10400 | 180 |
| | LQP02TN3N4B02L | 3.4 | B : ± 0.1 nH | 8 | 1.30 | 7500 | 10400 | 180 |
| | LQP02TN3N4C02D | 3.4 | C : ± 0.2 nH | 8 | 1.30 | 7500 | 10400 | 180 |
| | LQP02TN3N4C02L | 3.4 | C : ± 0.2 nH | 8 | 1.30 | 7500 | 10400 | 180 |
| | LQP02TN3N5B02D | 3.5 | B : ± 0.1 nH | 8 | 1.30 | 7500 | 10200 | 180 |
| | LQP02TN3N5B02L | 3.5 | B : ± 0.1 nH | 8 | 1.30 | 7500 | 10200 | 180 |
| | LQP02TN3N5C02D | 3.5 | C : ± 0.2 nH | 8 | 1.30 | 7500 | 10200 | 180 |
| | LQP02TN3N5C02L | 3.5 | C : ± 0.2 nH | 8 | 1.30 | 7500 | 10200 | 180 |
| | LQP02TN3N6B02D | 3.6 | B : ± 0.1 nH | 8 | 1.30 | 7500 | 10100 | 180 |
| | LQP02TN3N6B02L | 3.6 | B : ± 0.1 nH | 8 | 1.30 | 7500 | 10100 | 180 |
| | LQP02TN3N6C02D | 3.6 | C : ± 0.2 nH | 8 | 1.30 | 7500 | 10100 | 180 |
| | LQP02TN3N6C02L | 3.6 | C : ± 0.2 nH | 8 | 1.30 | 7500 | 10100 | 180 |
| | LQP02TN3N7B02D | 3.7 | B : ± 0.1 nH | 8 | 1.30 | 7500 | 10300 | 180 |
| | LQP02TN3N7B02L | 3.7 | B : ± 0.1 nH | 8 | 1.30 | 7500 | 10300 | 180 |
| | LQP02TN3N7C02D | 3.7 | C : ± 0.2 nH | 8 | 1.30 | 7500 | 10300 | 180 |
| | LQP02TN3N7C02L | 3.7 | C : ± 0.2 nH | 8 | 1.30 | 7500 | 10300 | 180 |
| | LQP02TN3N8B02D | 3.8 | B : ± 0.1 nH | 8 | 1.30 | 7500 | 10100 | 180 |
| | LQP02TN3N8B02L | 3.8 | B : ± 0.1 nH | 8 | 1.30 | 7500 | 10100 | 180 |
| | LQP02TN3N8C02D | 3.8 | C : ± 0.2 nH | 8 | 1.30 | 7500 | 10100 | 180 |
| | LQP02TN3N8C02L | 3.8 | C : ± 0.2 nH | 8 | 1.30 | 7500 | 10100 | 180 |

| 貴社品番 | 弊社品番 | インダクタンス | | Q (以上) | 直流抵抗 (Ω 以下) | 自己共振周波数 (MHz) | | 定格電流 (mA) |
|------|----------------|-------------|------------------|-----------|------------------------|------------------|------|--------------|
| | | 公称値 (nH) | 許容差 | | | 下限値 | *参考値 | |
| | LQP02TN3N9B02D | 3.9 | B : ± 0.1 nH | 8 | 1.30 | 7500 | 9700 | 180 |
| | LQP02TN3N9B02L | 3.9 | B : ± 0.1 nH | 8 | 1.30 | 7500 | 9700 | 180 |
| | LQP02TN3N9C02D | 3.9 | C : ± 0.2 nH | 8 | 1.30 | 7500 | 9700 | 180 |
| | LQP02TN3N9C02L | 3.9 | C : ± 0.2 nH | 8 | 1.30 | 7500 | 9700 | 180 |
| | LQP02TN4N0B02D | 4.0 | B : ± 0.1 nH | 8 | 1.30 | 7500 | 9800 | 180 |
| | LQP02TN4N0B02L | 4.0 | B : ± 0.1 nH | 8 | 1.30 | 7500 | 9800 | 180 |
| | LQP02TN4N0C02D | 4.0 | C : ± 0.2 nH | 8 | 1.30 | 7500 | 9800 | 180 |
| | LQP02TN4N0C02L | 4.0 | C : ± 0.2 nH | 8 | 1.30 | 7500 | 9800 | 180 |
| | LQP02TN4N1B02D | 4.1 | B : ± 0.1 nH | 8 | 1.30 | 7500 | 9600 | 180 |
| | LQP02TN4N1B02L | 4.1 | B : ± 0.1 nH | 8 | 1.30 | 7500 | 9600 | 180 |
| | LQP02TN4N1C02D | 4.1 | C : ± 0.2 nH | 8 | 1.30 | 7500 | 9600 | 180 |
| | LQP02TN4N1C02L | 4.1 | C : ± 0.2 nH | 8 | 1.30 | 7500 | 9600 | 180 |
| | LQP02TN4N2B02D | 4.2 | B : ± 0.1 nH | 8 | 1.30 | 7000 | 8700 | 180 |
| | LQP02TN4N2B02L | 4.2 | B : ± 0.1 nH | 8 | 1.30 | 7000 | 8700 | 180 |
| | LQP02TN4N2C02D | 4.2 | C : ± 0.2 nH | 8 | 1.30 | 7000 | 8700 | 180 |
| | LQP02TN4N2C02L | 4.2 | C : ± 0.2 nH | 8 | 1.30 | 7000 | 8700 | 180 |
| | LQP02TN4N3H02D | 4.3 | H : $\pm 3\%$ | 8 | 1.30 | 7000 | 8800 | 180 |
| | LQP02TN4N3H02L | 4.3 | H : $\pm 3\%$ | 8 | 1.30 | 7000 | 8800 | 180 |
| | LQP02TN4N3J02D | 4.3 | J : $\pm 5\%$ | 8 | 1.30 | 7000 | 8800 | 180 |
| | LQP02TN4N3J02L | 4.3 | J : $\pm 5\%$ | 8 | 1.30 | 7000 | 8800 | 180 |
| | LQP02TN4N7H02D | 4.7 | H : $\pm 3\%$ | 8 | 1.50 | 6500 | 8600 | 160 |
| | LQP02TN4N7H02L | 4.7 | H : $\pm 3\%$ | 8 | 1.50 | 6500 | 8600 | 160 |
| | LQP02TN4N7J02D | 4.7 | J : $\pm 5\%$ | 8 | 1.50 | 6500 | 8600 | 160 |
| | LQP02TN4N7J02L | 4.7 | J : $\pm 5\%$ | 8 | 1.50 | 6500 | 8600 | 160 |
| | LQP02TN5N1H02D | 5.1 | H : $\pm 3\%$ | 8 | 1.50 | 6500 | 8300 | 160 |
| | LQP02TN5N1H02L | 5.1 | H : $\pm 3\%$ | 8 | 1.50 | 6500 | 8300 | 160 |
| | LQP02TN5N1J02D | 5.1 | J : $\pm 5\%$ | 8 | 1.50 | 6500 | 8300 | 160 |
| | LQP02TN5N1J02L | 5.1 | J : $\pm 5\%$ | 8 | 1.50 | 6500 | 8300 | 160 |
| | LQP02TN5N6H02D | 5.6 | H : $\pm 3\%$ | 8 | 1.80 | 6000 | 7500 | 140 |
| | LQP02TN5N6H02L | 5.6 | H : $\pm 3\%$ | 8 | 1.80 | 6000 | 7500 | 140 |
| | LQP02TN5N6J02D | 5.6 | J : $\pm 5\%$ | 8 | 1.80 | 6000 | 7500 | 140 |
| | LQP02TN5N6J02L | 5.6 | J : $\pm 5\%$ | 8 | 1.80 | 6000 | 7500 | 140 |
| | LQP02TN6N2H02D | 6.2 | H : $\pm 3\%$ | 8 | 1.80 | 5500 | 7400 | 140 |
| | LQP02TN6N2H02L | 6.2 | H : $\pm 3\%$ | 8 | 1.80 | 5500 | 7400 | 140 |
| | LQP02TN6N2J02D | 6.2 | J : $\pm 5\%$ | 8 | 1.80 | 5500 | 7400 | 140 |
| | LQP02TN6N2J02L | 6.2 | J : $\pm 5\%$ | 8 | 1.80 | 5500 | 7400 | 140 |
| | LQP02TN6N8H02D | 6.8 | H : $\pm 3\%$ | 8 | 2.00 | 5500 | 7100 | 140 |
| | LQP02TN6N8H02L | 6.8 | H : $\pm 3\%$ | 8 | 2.00 | 5500 | 7100 | 140 |
| | LQP02TN6N8J02D | 6.8 | J : $\pm 5\%$ | 8 | 2.00 | 5500 | 7100 | 140 |
| | LQP02TN6N8J02L | 6.8 | J : $\pm 5\%$ | 8 | 2.00 | 5500 | 7100 | 140 |
| | LQP02TN7N5H02D | 7.5 | H : $\pm 3\%$ | 8 | 2.00 | 4500 | 6500 | 140 |
| | LQP02TN7N5H02L | 7.5 | H : $\pm 3\%$ | 8 | 2.00 | 4500 | 6500 | 140 |
| | LQP02TN7N5J02D | 7.5 | J : $\pm 5\%$ | 8 | 2.00 | 4500 | 6500 | 140 |
| | LQP02TN7N5J02L | 7.5 | J : $\pm 5\%$ | 8 | 2.00 | 4500 | 6500 | 140 |

| 貴社品番 | 弊社品番 | インダクタンス | | Q (以上) | 直流抵抗 (Ω 以下) | 自己共振周波数 (MHz) | | 定格電流 (mA) |
|------|----------------|-------------|---------------|-----------|------------------------|------------------|------|--------------|
| | | 公称値 (nH) | 許容差 | | | 下限値 | *参考値 | |
| | LQP02TN8N2H02D | 8.2 | H : $\pm 3\%$ | 8 | 2.10 | 4500 | 6200 | 140 |
| | LQP02TN8N2H02L | 8.2 | H : $\pm 3\%$ | 8 | 2.10 | 4500 | 6200 | 140 |
| | LQP02TN8N2J02D | 8.2 | J : $\pm 5\%$ | 8 | 2.10 | 4500 | 6200 | 140 |
| | LQP02TN8N2J02L | 8.2 | J : $\pm 5\%$ | 8 | 2.10 | 4500 | 6200 | 140 |
| | LQP02TN9N1H02D | 9.1 | H : $\pm 3\%$ | 8 | 2.10 | 4000 | 5600 | 140 |
| | LQP02TN9N1H02L | 9.1 | H : $\pm 3\%$ | 8 | 2.10 | 4000 | 5600 | 140 |
| | LQP02TN9N1J02D | 9.1 | J : $\pm 5\%$ | 8 | 2.10 | 4000 | 5600 | 140 |
| | LQP02TN9N1J02L | 9.1 | J : $\pm 5\%$ | 8 | 2.10 | 4000 | 5600 | 140 |
| | LQP02TN10NH02D | 10 | H : $\pm 3\%$ | 8 | 2.50 | 4000 | 5300 | 140 |
| | LQP02TN10NH02L | 10 | H : $\pm 3\%$ | 8 | 2.50 | 4000 | 5300 | 140 |
| | LQP02TN10NJ02D | 10 | J : $\pm 5\%$ | 8 | 2.50 | 4000 | 5300 | 140 |
| | LQP02TN10NJ02L | 10 | J : $\pm 5\%$ | 8 | 2.50 | 4000 | 5300 | 140 |
| | LQP02TN11NH02D | 11 | H : $\pm 3\%$ | 7 | 2.80 | 3500 | 4400 | 140 |
| | LQP02TN11NH02L | 11 | H : $\pm 3\%$ | 7 | 2.80 | 3500 | 4400 | 140 |
| | LQP02TN11NJ02D | 11 | J : $\pm 5\%$ | 7 | 2.80 | 3500 | 4400 | 140 |
| | LQP02TN11NJ02L | 11 | J : $\pm 5\%$ | 7 | 2.80 | 3500 | 4400 | 140 |
| | LQP02TN12NH02D | 12 | H : $\pm 3\%$ | 7 | 2.80 | 3500 | 4200 | 140 |
| | LQP02TN12NH02L | 12 | H : $\pm 3\%$ | 7 | 2.80 | 3500 | 4200 | 140 |
| | LQP02TN12NJ02D | 12 | J : $\pm 5\%$ | 7 | 2.80 | 3500 | 4200 | 140 |
| | LQP02TN12NJ02L | 12 | J : $\pm 5\%$ | 7 | 2.80 | 3500 | 4200 | 140 |
| | LQP02TN13NH02D | 13 | H : $\pm 3\%$ | 7 | 3.20 | 3000 | 4200 | 140 |
| | LQP02TN13NH02L | 13 | H : $\pm 3\%$ | 7 | 3.20 | 3000 | 4200 | 140 |
| | LQP02TN13NJ02D | 13 | J : $\pm 5\%$ | 7 | 3.20 | 3000 | 4200 | 140 |
| | LQP02TN13NJ02L | 13 | J : $\pm 5\%$ | 7 | 3.20 | 3000 | 4200 | 140 |
| | LQP02TN15NH02D | 15 | H : $\pm 3\%$ | 7 | 3.20 | 3000 | 3800 | 140 |
| | LQP02TN15NH02L | 15 | H : $\pm 3\%$ | 7 | 3.20 | 3000 | 3800 | 140 |
| | LQP02TN15NJ02D | 15 | J : $\pm 5\%$ | 7 | 3.20 | 3000 | 3800 | 140 |
| | LQP02TN15NJ02L | 15 | J : $\pm 5\%$ | 7 | 3.20 | 3000 | 3800 | 140 |
| | LQP02TN16NH02D | 16 | H : $\pm 3\%$ | 7 | 3.50 | 2500 | 3600 | 140 |
| | LQP02TN16NH02L | 16 | H : $\pm 3\%$ | 7 | 3.50 | 2500 | 3600 | 140 |
| | LQP02TN16NJ02D | 16 | J : $\pm 5\%$ | 7 | 3.50 | 2500 | 3600 | 140 |
| | LQP02TN16NJ02L | 16 | J : $\pm 5\%$ | 7 | 3.50 | 2500 | 3600 | 140 |
| | LQP02TN18NH02D | 18 | H : $\pm 3\%$ | 7 | 3.50 | 2500 | 3400 | 140 |
| | LQP02TN18NH02L | 18 | H : $\pm 3\%$ | 7 | 3.50 | 2500 | 3400 | 140 |
| | LQP02TN18NJ02D | 18 | J : $\pm 5\%$ | 7 | 3.50 | 2500 | 3400 | 140 |
| | LQP02TN18NJ02L | 18 | J : $\pm 5\%$ | 7 | 3.50 | 2500 | 3400 | 140 |
| | LQP02TN20NH02D | 20 | H : $\pm 3\%$ | 6 | 5.00 | 2300 | 3100 | 120 |
| | LQP02TN20NH02L | 20 | H : $\pm 3\%$ | 6 | 5.00 | 2300 | 3100 | 120 |
| | LQP02TN20NJ02D | 20 | J : $\pm 5\%$ | 6 | 5.00 | 2300 | 3100 | 120 |
| | LQP02TN20NJ02L | 20 | J : $\pm 5\%$ | 6 | 5.00 | 2300 | 3100 | 120 |
| | LQP02TN22NH02D | 22 | H : $\pm 3\%$ | 6 | 5.00 | 2300 | 3000 | 120 |
| | LQP02TN22NH02L | 22 | H : $\pm 3\%$ | 6 | 5.00 | 2300 | 3000 | 120 |
| | LQP02TN22NJ02D | 22 | J : $\pm 5\%$ | 6 | 5.00 | 2300 | 3000 | 120 |
| | LQP02TN22NJ02L | 22 | J : $\pm 5\%$ | 6 | 5.00 | 2300 | 3000 | 120 |

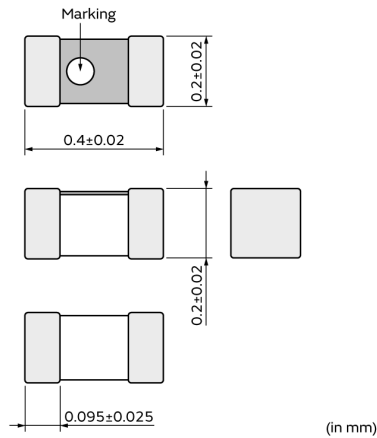
| 貴社品番 | 弊社品番 | インダクタンス | | Q (以上) | 直流抵抗 (Ω 以下) | 自己共振周波数 (MHz) | | 定格電流 (mA) |
|------|----------------|-------------|---------------|-----------|------------------------|------------------|------|--------------|
| | | 公称値 (nH) | 許容差 | | | 下限値 | *参考値 | |
| | LQP02TN24NH02D | 24 | H : $\pm 3\%$ | 6 | 5.50 | 2000 | 2800 | 120 |
| | LQP02TN24NH02L | 24 | H : $\pm 3\%$ | 6 | 5.50 | 2000 | 2800 | 120 |
| | LQP02TN24NJ02D | 24 | J : $\pm 5\%$ | 6 | 5.50 | 2000 | 2800 | 120 |
| | LQP02TN24NJ02L | 24 | J : $\pm 5\%$ | 6 | 5.50 | 2000 | 2800 | 120 |
| | LQP02TN27NH02D | 27 | H : $\pm 3\%$ | 6 | 5.50 | 2000 | 2500 | 120 |
| | LQP02TN27NH02L | 27 | H : $\pm 3\%$ | 6 | 5.50 | 2000 | 2500 | 120 |
| | LQP02TN27NJ02D | 27 | J : $\pm 5\%$ | 6 | 5.50 | 2000 | 2500 | 120 |
| | LQP02TN27NJ02L | 27 | J : $\pm 5\%$ | 6 | 5.50 | 2000 | 2500 | 120 |
| | LQP02TN30NH02D | 30 | H : $\pm 3\%$ | 6 | 6.50 | 1800 | 2600 | 90 |
| | LQP02TN30NH02L | 30 | H : $\pm 3\%$ | 6 | 6.50 | 1800 | 2600 | 90 |
| | LQP02TN30NJ02D | 30 | J : $\pm 5\%$ | 6 | 6.50 | 1800 | 2600 | 90 |
| | LQP02TN30NJ02L | 30 | J : $\pm 5\%$ | 6 | 6.50 | 1800 | 2600 | 90 |
| | LQP02TN33NH02D | 33 | H : $\pm 3\%$ | 4 | 6.50 | 1800 | 2300 | 90 |
| | LQP02TN33NH02L | 33 | H : $\pm 3\%$ | 4 | 6.50 | 1800 | 2300 | 90 |
| | LQP02TN33NJ02D | 33 | J : $\pm 5\%$ | 4 | 6.50 | 1800 | 2300 | 90 |
| | LQP02TN33NJ02L | 33 | J : $\pm 5\%$ | 4 | 6.50 | 1800 | 2300 | 90 |
| | LQP02TN36NH02D | 36 | H : $\pm 3\%$ | 4 | 7.00 | 1600 | 2300 | 90 |
| | LQP02TN36NH02L | 36 | H : $\pm 3\%$ | 4 | 7.00 | 1600 | 2300 | 90 |
| | LQP02TN36NJ02D | 36 | J : $\pm 5\%$ | 4 | 7.00 | 1600 | 2300 | 90 |
| | LQP02TN36NJ02L | 36 | J : $\pm 5\%$ | 4 | 7.00 | 1600 | 2300 | 90 |
| | LQP02TN39NH02D | 39 | H : $\pm 3\%$ | 4 | 7.00 | 1600 | 2100 | 90 |
| | LQP02TN39NH02L | 39 | H : $\pm 3\%$ | 4 | 7.00 | 1600 | 2100 | 90 |
| | LQP02TN39NJ02D | 39 | J : $\pm 5\%$ | 4 | 7.00 | 1600 | 2100 | 90 |
| | LQP02TN39NJ02L | 39 | J : $\pm 5\%$ | 4 | 7.00 | 1600 | 2100 | 90 |

* 参考値は実績値です。

4. 試験および測定条件

| | |
|-------------|--|
| 特に規定がない場合 | 温度：常温(15°C~35°C) 湿度：常湿[25%~85%(RH)] |
| 判定に疑義を生じた場合 | 温度：20°C \pm 2°C 湿度：60%~70%(RH) 気圧：86 kPa~106 kPa |

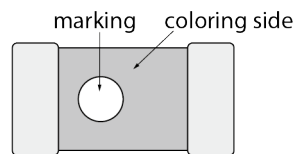
5. 外観および寸法



部品質量 (参考値) : 0.05 mg

6. 表示

Direction identification marking: white

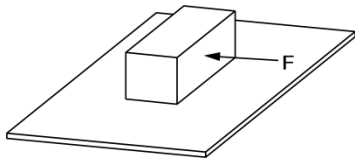
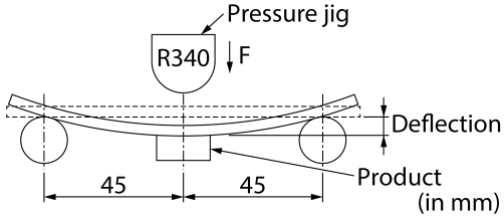


7. 電気的性能

| No. | 項目 | 規格値 | 試験方法 | | | | |
|---------|--------------|--------------|---|---------|--------------|---------|-------------|
| 7.1 | インダクタンス | 3章の定格を満足します。 | 測定器 : Keysight E4991Aまたは同等品 測定周波数 : <table border="1" style="margin-left: 20px;"> <tr> <td>500 MHz</td> <td>0.2 nH~30 nH</td> </tr> <tr> <td>300 MHz</td> <td>33 nH~39 nH</td> </tr> </table> 測定条件 : 測定信号レベル : 約0 dBm 電気長 : 27.3 mm 荷重 : 約3 N 測定端子 : Keysight 16196D 供試チップコイルを下図の測定例のようにセットして荷重により電極に接続します。 測定例 : <div style="text-align: center; margin: 10px 0;"> </div> 部品挿入穴 : φ0.3 mm 測定方法 : 巻末の「電気的性能 : インダクタンス/Qの測定方法」によります。 | 500 MHz | 0.2 nH~30 nH | 300 MHz | 33 nH~39 nH |
| 500 MHz | 0.2 nH~30 nH | | | | | | |
| 300 MHz | 33 nH~39 nH | | | | | | |
| 7.2 | Q | 3章の定格を満足します。 | | | | | |
| 7.3 | 直流抵抗 | 3章の定格を満足します。 | 測定器 : デジタルマルチメータ | | | | |

| No. | 項目 | 規格値 | 試験方法 |
|-----|---------|---------------|--------------------------|
| 7.4 | 自己共振周波数 | 3章の定格を満足します。 | 測定器：Keysight 8753Cまたは同等品 |
| 7.5 | 定格電流 | 製品の温度上昇：25℃以下 | 3章で規定した定格電流を通電します。 |

8. 機械的性能

| No. | 項目 | 規格値 | 試験方法 |
|-----|--------|---|--|
| 8.1 | 電極固着力 | 著しい機械的損傷や電極の剥離の兆候はありません。 | 試験基板：ガラスエポキシ基板 加圧力：1 N 保持時間：5秒±1秒間 加圧方向：  |
| 8.2 | たわみ試験 | 著しい機械的損傷や電極の剥離の兆候はありません。 | 試験基板：ガラスエポキシ基板(100 mm×40 mm×0.8 mm) 加圧速度：1 mm/s 加圧治具：R340 たわみ量：1 mm 保持時間：30秒間  |
| 8.3 | 耐振性 | 外観に著しい機械的損傷はありません。 | 振動周波数：10 Hz～2000 Hz～10 Hz、約20分間 全振幅：全振幅1.5 mmまたは加速度振幅196 m/s ² のいずれか小さい方 試験時間：互いに直角な3方向、各2時間(計6時間) |
| 8.4 | はんだ付け性 | 外部電極の90%以上が、切れ目なく、新しいはんだで覆われています。 | フラックス：ロジンが25(wt)%のエタノール溶液に5秒～10秒間浸す。 はんだ：Sn-3.0Ag-0.5Cuはんだ 予熱：150℃±10℃、60秒～90秒 はんだ温度：240℃±5℃ 浸せき時間：3秒±1秒間 |
| 8.5 | はんだ耐熱性 | 外観：著しい機械的損傷はありません。 インダクタンス変化率：±10%以内 | フラックス：ロジンが25(wt)%のエタノール溶液に5秒～10秒間浸す。 はんだ：Sn-3.0Ag-0.5Cuはんだ 予熱：150℃±10℃、60秒～90秒 はんだ温度：260℃±5℃ 浸せき時間：5秒±1秒間 後処理：室温に24時間±2時間放置 |

9. 耐候性

製品をガラスエポキシ基板にはんだ付けし、試験を行います。

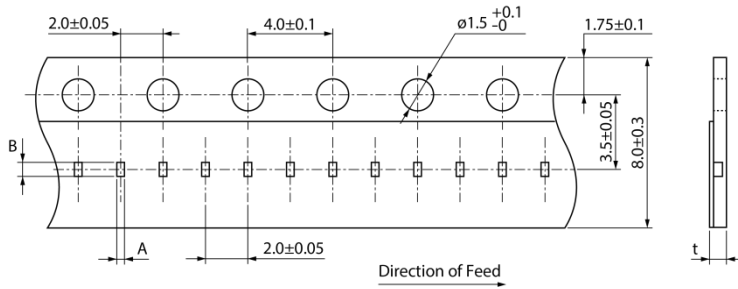
| No. | 項目 | 規格値 | 試験方法 |
|-----|-----|---|---|
| 9.1 | 耐熱性 | 外観：著しい機械的損傷はありません。 インダクタンス変化率：±10%以内 | 温度：125℃±2℃ 試験時間：1000時間(+48時間、-0時間) 後処理：室温に24時間±2時間放置 |
| 9.2 | 耐寒性 | 外観：著しい機械的損傷はありません。 インダクタンス変化率：±10%以内 | 温度：-55℃±3℃ 試験時間：1000時間(+48時間、-0時間) 後処理：室温に24時間±2時間放置 |
| 9.3 | 耐湿性 | 外観：著しい機械的損傷はありません。 インダクタンス変化率：±10%以内 | 温度：40℃±2℃ 湿度：90%(RH)～95%(RH) 試験時間：1000時間(+48時間、-0時間) 後処理：室温に24時間±2時間放置 |

| No. | 項目 | 規格値 | 試験方法 |
|-----|--------|---|--|
| 9.4 | 温度サイクル | 外観：著しい機械的損傷はありません。 インダクタンス変化率：±10%以内 | 1サイクル条件： 1段階：-55°C±2°C、30分±3分 2段階：常温、10分～15分 3段階：+125°C±2°C、30分±3分 4段階：常温、10分～15分 試験回数：10回 後処理：室温に24時間±2時間放置 |

10. 包装仕様

10.1 テーピング寸法および外観

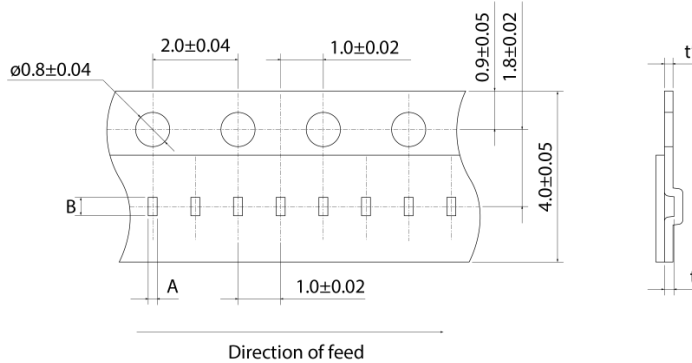
・ 8 mm幅、紙テープ



| | |
|---|-----------|
| A | (0.24) |
| B | (0.47) |
| t | 0.39 max. |

(in mm)

・ 4 mm幅、プラスチックテープ

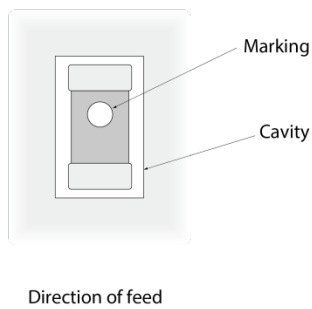


| | |
|----|--------|
| A | (0.21) |
| B | (0.43) |
| t | (0.23) |
| t' | (0.2) |

(in mm)

* キャビティの寸法はキャビティ底側での寸法となります。

■ Top view



10.2 テーピング仕様

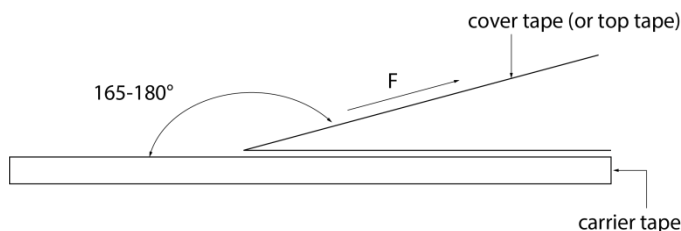
| | |
|-------------|--|
| 包装数量 (標準数量) | 20000個/リール(キャリアテープ : 8 mm幅、2 mmピッチ) 40000個/リール(キャリアテープ : 4 mm幅、1 mmピッチ) |
| 収納方法 | 製品をキャリアテープのキャビティ中に収納し、カバーテープ(キャリアテープのキャビティが貫通タイプの場合は、トップテープとボトムテープ)を貼り付けして封入します。 |
| 送り穴位置 | キャリアテープの送り穴は、カバーテープ(キャリアテープのキャビティが貫通タイプの場合は、トップテープ)を手前に引き出したとき、右側となります。 |
| 継ぎ目 | キャリアテープ、カバーテープ(キャリアテープのキャビティが貫通タイプの場合は、トップテープ)には継ぎ目はありません。 |
| 製品の欠落数 | 製品の欠落数は、1リールの総製品数(表示数)の0.1%または1個のいずれか大きい方以下で、連続の欠落はありません。ただし、1リール当たりの製品収納数は規定数(表示数)あります。 |

10.3 テープの破断強度

| | |
|----------------------------------|-------|
| カバーテープ(またはトップテープ) | 5 N以上 |
| ボトムテープ(キャリアテープのキャビティが貫通タイプの場合のみ) | 5 N以上 |

10.4 テープの剥離強度

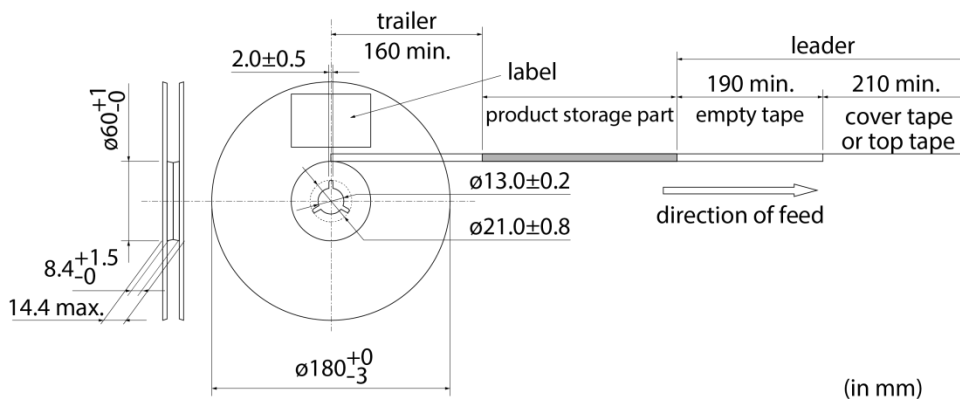
| | |
|------|------------------------------|
| 剥離速度 | 300 mm/min |
| 剥離強度 | 0.1 N~0.6 N(ただし、下限値は参考値とします) |



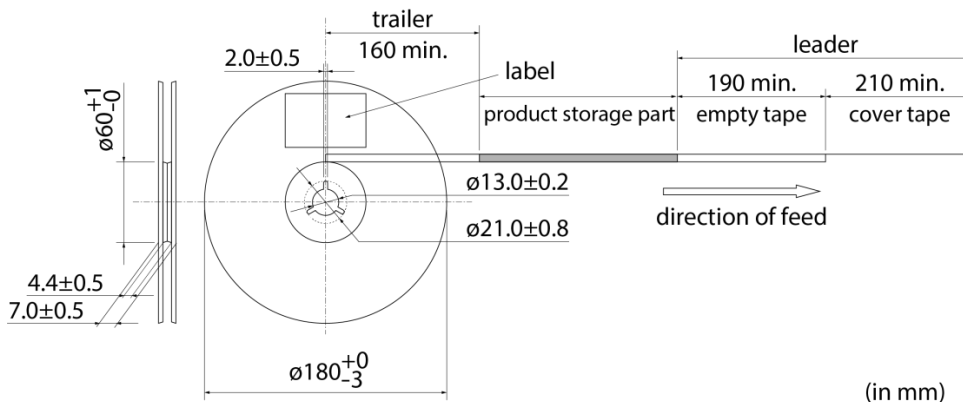
10.5 リーダ部、トレーラ部寸法およびリール寸法

テーピングの始め(リーダ部)と終わり(トレーラ部)には製品を収納しない空部を設け、さらに、リーダ部にはカバーテープ(またはトップテープ)だけの部分を設けます(下図参照)。

・ 8 mm幅キャリアテープ



・ 4 mm幅キャリアテープ



10.6 リールへの表示

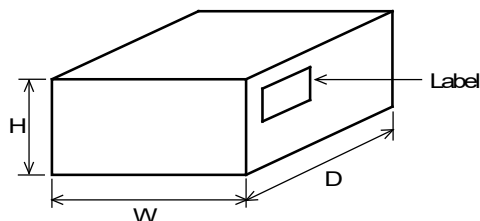
貴社品番、弊社品番、出荷検査番号(*1)、RoHS対応表示(*2)、数量等

| | |
|--|---|
| *1 出荷検査番号の表し方： □□ ○○○○ ◇◇◇ ① ② ③ | ①工場識別 ②年月日 1桁目：年/西暦年号の末尾 2桁目：月/1月～9月→1～9、10月～12月→0、N、D 3、4桁目：日 ③連番 |
| *2 RoHS対応表示の表し方： ROHS— Y (Δ) ① ② | ①RoHS指令対応品 ②弊社管理記号 |

10.7 外装箱(段ボール箱)への表示

貴社名、ご注文番号、貴社品番、弊社品番、RoHS対応表示(*2)、納入数量等

10.8 外装箱仕様



| 外装箱寸法 (mm) | | | テープ幅 (mm) | 標準リール収納数 (リール) |
|------------|-----|----|-----------|----------------|
| W | D | H | | |
| 186 | 186 | 93 | 4 | 10 |
| | | | 8 | 5 |

* 外装箱は代表的なものです。したがって、貴社からのご注文数量に応じて異なります。

11. ▲注意

11.1 用途の限定

当参考図に記載の製品は、当参考図内で個別に記載の適用用途向けに設計・製造されたものであり、高度な性能・機能・品質・管理・安全性が要求される本注意書き末尾①から⑪までの用途への適合性・性能発揮・品質等を保証するものではありませんので、当参考図記載の適用用途に従ってご使用ください。

万が一、当参考図記載の適用用途以外の用途でご使用された場合、又は以下の①から⑪までの用途でご使用された場合(別途当参考図内に用途記載があるものは除く*)には、弊社は当該使用によって生じた不測の事故その他の損害に関する一切の責任を負いかねますのでご注意ください。

- ①航空機器
- ②宇宙機器
- ③海底機器
- ④発電所制御機器
- ⑤医療機器
- ⑥輸送機器
- ⑦交通用信号機器
- ⑧防災/防犯機器
- ⑨産業用情報処理機器
- ⑩燃焼/爆発制御機器
- ⑪その他上記機器と同等の機器

当参考図に記載の適用用途以外の用途に対応した製品については、お客様とお取引のある弊社営業窓口・代理店・商社、またはお問い合わせフォーム (<https://www.murata.com/contactform>) までお問い合わせください。

* 製品によっては、①から⑪までの用途向けに設計・製造される場合があります、それらは弊社カタログ、仕様書、データシート等に個別で用途を記載しております。

11.2 定格上の注意

定格の温度範囲、定格電圧、定格電流を超えてのご使用はお避けください。
 定格を超えて使用しますと、断線や焼損のような重大な不具合が発生するおそれがあります。

11.3 突入電流について

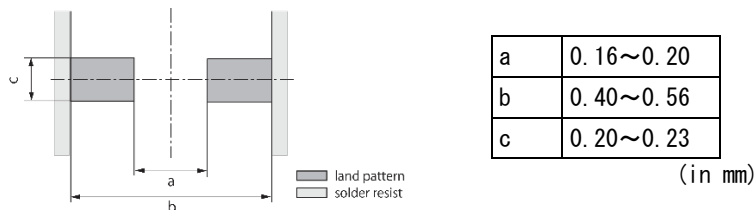
定格電流を大きく上回る突入電流(またはパルス電流、ラッシュ電流)が製品に印加されると、過度の発熱により断線や焼損のような重大な不具合が発生するおそれがあります。

12. 使用上の注意

当製品は、リフローはんだ専用部品です。また、はんだ付けにて実装されることを意図して設計しておりますので、導電性接着剤での実装等の方法を使用される場合は事前に弊社にご相談ください。
 また、実装する基板との熱膨張係数の違いから、温度サイクル等の熱ストレスを繰り返し与えた場合、実装部のはんだ(はんだフィレット部)にクラックが発生する場合があります。
 熱ストレスによるクラックの発生は、実装されるランドの大きさ、はんだ量、実装基板の放熱性等に左右されますので、周囲温度の大きな変化が想定される場合には、充分注意して設計してください。

12.1 ランド寸法

リフローはんだ付け時のランド寸法を下記に示します。



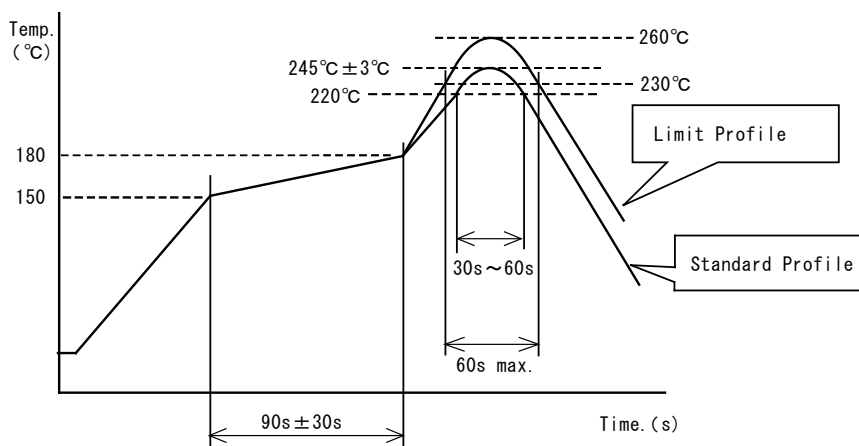
12.2 使用フラックス、はんだ

| | |
|-------|--|
| フラックス | <ul style="list-style-type: none"> ・ロジン系フラックスをご使用ください。 ・酸性の強いもの[ハロゲン化物含有量0.2 mass% (塩素換算値)を超えるもの]は使用しないでください。 ・水溶性フラックスは使用しないでください。 |
| はんだ | <ul style="list-style-type: none"> ・Sn-3.0Ag-0.5Cuはんだをご使用ください。 ・クリームはんだ標準塗布厚：50 μm~80 μm |

上記以外のフラックスは、弊社技術部門へご確認の上ご使用ください。

12.3 はんだ付け条件(リフロー)

- ・はんだ付けに先立って、はんだ温度と製品表面の温度差が150℃以内になるように予熱を行ってください。また、はんだ付け後、溶剤への浸せきなどにより急冷される場合についても温度差が100℃以内となるようにしてください。
- 予熱が不十分な場合には、磁器素体にクラック等が入り特性劣化を生じる場合があります。
- ・標準プロファイルと限界プロファイルは以下のとおりです。
 限界プロファイルを超えたはんだ付けは、特性劣化、電極クワレ等発生の原因となります。



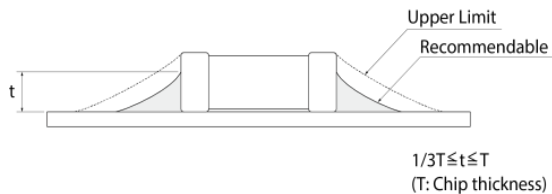
| | 標準プロファイル | 限界プロファイル |
|--------|-------------------|-------------------|
| 予熱 | 150℃~180℃、90秒±30秒 | 150℃~180℃、90秒±30秒 |
| 加熱 | 220℃以上、30秒~60秒 | 230℃以上、60秒以内 |
| ピーク温度 | 245℃±3℃ | 260℃、10秒 |
| リフロー回数 | 2回 | 2回 |

12.4 コテ修正

当製品のコテ修正は行わないでください。

12.5 はんだ盛り量

はんだ盛り量は、過多にならないよう確実にはんだを付着させてください。



はんだ盛り量が多いほど、製品が受ける機械的ストレスは大きくなり、はんだ盛り量が過多の場合クラックや特性不良の原因となります。

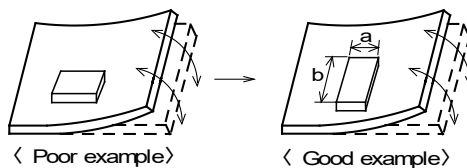
12.6 部品配置

基板設計時、部品配置について次の点にご配慮ください。

①基板のソリ、たわみに対して、ストレスが加わらないように部品を配置してください。

[部品方向]

ストレスの作用する方向に対して、横向き(長さ : $a < b$)に部品を配置してください。



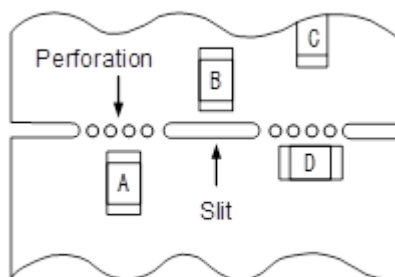
②基板ブレイク付近での部品配置

基板分割でのストレスを軽減するために下記に示す対応策を実施することが有効です。

下記に示す3つの対策をすべて実施することがベストですが、ストレスを軽減するために可能な限りの対策を実施ください。

| 対策内容 | ストレスの大小 |
|-------------------------------|--------------|
| (1) 基板分割面に対する部品の配置方向を平行方向とする。 | $A > D^{*1}$ |
| (2) 基板分割部にスリットを入れる。 | $A > B$ |
| (3) 基板分割面から部品の実装位置を離す。 | $A > C$ |

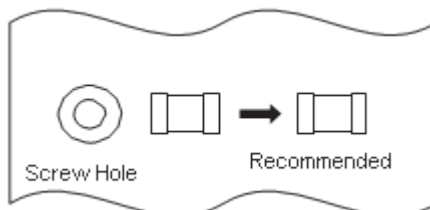
*1 上記の関係は、手割はカットラインに対して垂直に応力がかかることが前提です。ディスクカット機などの場合は、応力が斜めにかかり、 $A > D$ の関係が成り立ちません。



③ネジ穴近辺での部品配置

ネジ穴近辺に部品を配置すると、ネジ締め時に発生する基板たわみの影響を受ける可能性があります。

ネジ穴から極力離れた位置に配置してください。



12.7 基板の取り扱い

- ①実装する基板の材質、構造によってチップに加わる応力が異なります。
 基板とチップの熱膨張係数が大きく異なる場合は、熱膨張および収縮量の違いによってチップワレが発生することがあります。
 弊社ではガラスエポキシ基板への実装を想定しており、ガラスエポキシ基板と比較して熱膨張係数が大きく異なる基板での評価は行なっていません。これらの基板に搭載される場合は、事前に十分な評価を実施のうえ、ご使用をお願いします。
- ②部品を基板に実装した後は、基板ブレイクやコネクタの抜き差し、ネジの締め付け等の際、基板のたわみやひねり等により、部品にストレスを与えないようにしてください。
 過度な機械的ストレスにより部品にクラックが発生する場合があります。
 またフレキシブル基板に実装する場合、この基板の取り扱いの際には、わずかなたわみやひねりにおいてもチップに過度な機械的ストレスが加わると想定されますので、十分な事前評価のうえご使用をお願いします。



たわみ

ひねり

12.8 洗浄

超音波洗浄の際、出力が大きすぎると基板が共振し、基板の振動によりチップクラックやはんだワレの原因となります。必ず、事前に実洗浄装置を用いて洗浄を行い、当製品の品質を確認してください。

12.9 保管、運搬

| | |
|------|---|
| 保管期間 | 納入後、12か月以内にご使用ください。 なお、12か月を超える場合は、はんだ付け性をご確認の上ご使用ください。 |
| 保管方法 | <ul style="list-style-type: none"> ・当製品は、温度-10℃～+40℃、相対湿度15%～85%で、かつ、急激な温湿度の変化のない室内で保管ください。 ・当製品は、硫黄、塩素ガス、酸など腐食性ガス雰囲気中で保管されますと、はんだ付け性不良が生じる原因となります。 ・湿気、塵などの影響を避けるため、床への直置は避けパレットなどの上に保管ください。 ・直射日光、熱、振動などが加わる場所での保管はお避けください。 ・バルクの状態での保管はお避けください。バルクでの保管は製品同士あるいは製品と他の部品が衝突し、カケや断線を生じることがあります。 ・直接外気に触れるような製品だけの裸保管はお避けください。 |
| 運搬 | 過度の振動、衝撃は製品の信頼性を低下させる原因となりますので、取り扱いには充分注意をお願いします。 |

12.10 樹脂コーティング(防湿コーティングを含む)

製品を樹脂でコーティングすると、電気特性が変化する場合があります。
 また、使用する樹脂、塗布形状あるいは使用環境によっては、機械的ストレスにより断線するおそれがあります。
 場合によっては、不純物や加水分解性塩素などにより導体が腐食し断線するおそれもあります。
 樹脂コーティングされる場合は樹脂の選択にはご注意ください。また、実装された状態での信頼性評価を充分に実施ください。

12.11 マウンタ搭載条件

ご使用のマウンタの搭載条件を確認のうえ、搭載してください。
 製品に適していない搭載条件(ノズル、設備条件等)を使用すると、吸着ミスや吸着位置ズレ、製品へのダメージが発生する可能性があります。

12.12 使用環境について

特性劣化を引き起こす可能性がありますので、次のような環境条件でのご使用はお避けください。
 (1)酸、アルカリ、ハロゲン、その他有機ガスなどの腐食性ガス雰囲気中(潮風、Cl2、H2S、NH3、SO2、NO2など)
 (2)有機溶剤などの液体がかかる場所
 (3)急激な温湿度の変化があり容易に結露する場所

12.13 実装密度について

当製品を、発熱を伴う部品の近くに配置する場合、十分な放熱対策をとってください。
 他の部品から受ける熱が大きい場合、当製品の特性が損なわれ、回路の動作不良や実装部の劣化を引き起こす場合があります。他の部品から受ける熱が加わる場合においても必ず当製品の定格使用温度の上限以下でご使用ください。

13. ⚠️お願い

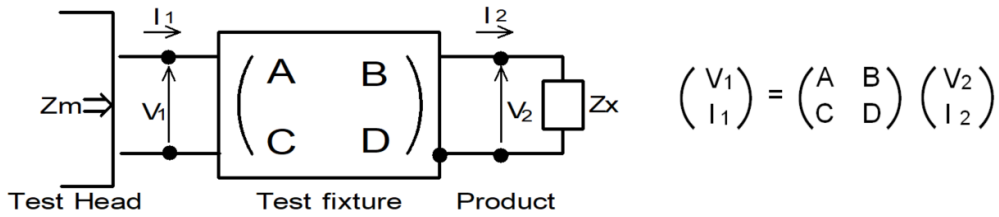
- ①ご使用に際しては、貴社製品に実装された状態で必ず評価してください。
- ②当製品を当参考図の記載内容を逸脱して使用しないでください。
- ③当参考図の内容は予告なく変更することがございます。ご注文の前に、納入仕様書の内容をご確認いただくか承認図の取交しをお願いします。

巻末

電氣的性能：インダクタンス/Qの測定方法(Qの測定については、Q値が定格表に記載されている場合のみ適用)

以下の方法で測定します(測定端子に由来する誤差を補正します)。

①測定端子の残留要素と浮遊要素は、下図のような2極型端子対のFパラメータで表すことができます。



②ここで部品のインピーダンス値(Zx)と測定値(Zm)は、入出力に対するそれぞれの電流と電圧を使って次のように表すことができます。

$$Z_m = \frac{V_1}{I_1} \quad Z_x = \frac{V_2}{I_2}$$

③したがって部品のインピーダンス値(Zx)と測定値(Zm)の関係は以下のとおりです。

| | |
|---|--|
| $Z_x = \alpha \frac{Z_m - \beta}{1 - Z_m \Gamma}$ | <p>ただし、</p> <p>$\alpha = D/A = 1$</p> <p>$\beta = B/D = Z_{sm} - (1 - Y_{om} Z_{sm}) Z_{ss}$</p> <p>$\Gamma = C/A = Y_{om}$</p> <p>$Z_{sm}$: Shortチップ測定インピーダンス</p> <p>Z_{ss} : Shortチップの残留インピーダンス (0.110 nH)</p> <p>Y_{om} : 測定端子開放時の測定アドミタンス</p> |
|---|--|

④これより、以下の計算を行い、インダクタンスLxおよびQxを測定します。

| | |
|---|---|
| $L_x = \frac{\text{Im}(Z_x)}{2\pi f}$ | <p>Lx : チップコイルのインダクタンス</p> <p>Qx : チップコイルのQ</p> |
| $Q_x = \frac{\text{Im}(Z_x)}{\text{Re}(Z_x)}$ | <p>f : 測定周波数</p> |