

## CHIP COIL (CHIP INDUCTOR) for Consumer equipment & Industrial equipment LQM31PN□□□□00 REFERENCE SPECIFICATION

### 1. Scope

This reference specification applies to chip coil (chip inductor) LQM31PN\_00 series.

#### 1.1 Specific applications:

- Power equipment: Products that can be used in power equipment such as renewable energy equipment, energy storage equipment and EV charging equipment and whose functions are not directly related to the protection of human life and property.
- Industrial equipment: Products that can be used in industrial equipment such as base stations, manufacturing equipment, industrial robotics equipment, and measurement equipment, and whose functions do not directly relate to the protection of human life and property.
- Medical equipment (GHTF Class C) \*Except for implant/surgery/auto injector: Products that can be used for medical equipment of Class C of the international classification class GHTF and whose malfunction is considered to pose a relatively high risk to the human body.
- Medical equipment (GHTF Class A and B): Products that can be used for medical equipment regulated by Class A and Class B of the international classification class GHTF and whose functions do not directly relate to the protection of human life and property.
- Consumer equipment: Products that can be used in consumer equipment such as home appliances, audio/visual equipment, communication equipment, information equipment, office equipment, and household robotics, and whose functions are not directly related to the protection of human life and property.

#### 1.2 Unsuitable application:

Applications listed in "Limitation of applications" in this reference specification.

### 2. Part Numbering

(Ex.)

|            |           |                      |                                   |          |            |           |             |                            |                                    |
|------------|-----------|----------------------|-----------------------------------|----------|------------|-----------|-------------|----------------------------|------------------------------------|
| LQ         | M         | 31                   | P                                 | N        | R47        | M         | 0           | 0                          | L                                  |
| Product ID | Structure | Dimension<br>(L × W) | Application and<br>characteristic | Category | Inductance | Tolerance | Performance | Electrode<br>specification | Packaging<br>L: taping<br>*B: bulk |

\*B: Bulk packing is also available.

### 3. Part Number and Rating

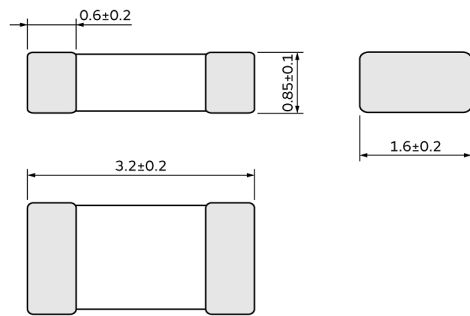
|                             |                 |
|-----------------------------|-----------------|
| Operating temperature range | -55°C to +125°C |
| Storage temperature range   | -55°C to +125°C |

| Customer Part number | Murata Part number | Inductance         |               | DC resistance (Ω) | Self-resonant frequency (MHz min.) | Rated current (mA) |
|----------------------|--------------------|--------------------|---------------|-------------------|------------------------------------|--------------------|
|                      |                    | Nominal value (μH) | Tolerance (%) |                   |                                    |                    |
|                      | LQM31PNR47M00L     | 0.47               | ±20           | 0.07±25%          | 80                                 | 1400               |
|                      | LQM31PN1R0M00L     | 1.0                | ±20           | 0.12±25%          | 60                                 | 1200               |
|                      | LQM31PN1R5M00L     | 1.5                | ±20           | 0.14±25%          | 50                                 | 1000               |
|                      | LQM31PN2R2M00L     | 2.2                | ±20           | 0.19±25%          | 40                                 | 900                |
|                      | LQM31PN3R3M00L     | 3.3                | ±20           | 0.24±25%          | 30                                 | 800                |
|                      | LQM31PN4R7M00L     | 4.7                | ±20           | 0.30±25%          | 25                                 | 700                |

### 4. Testing Conditions

|                            |   |
|----------------------------|---|
| Unless otherwise specified | Temperature: ordinary temperature (15°C to 35°C)<br>Humidity: ordinary humidity [25% to 85% (RH)] |
| In case of doubt           | Temperature: 20°C±2°C<br>Humidity: 60% to 70% (RH)<br>Atmospheric pressure: 86 kPa to 106 kPa     |

## 5. Appearance and Dimensions



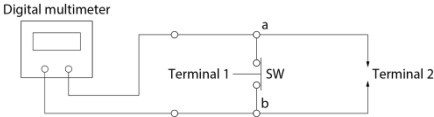
(in mm)

Unit mass (typical value): 0.024 g

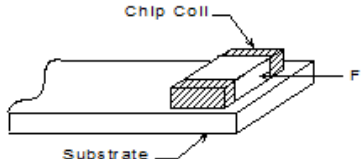
## 6. Marking

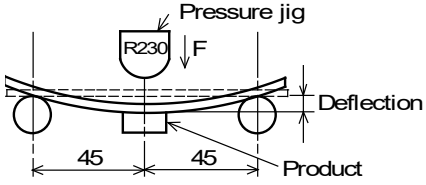
No marking.

## 7. Electrical Performance

| No. | Item                    | Specification                       | Test method   |
|-----|-------------------------|-------------------------------------|---|
| 7.1 | Inductance              | Meet chapter 3 ratings.             | Measuring equipment: Keysight 4294A or the equivalent (1 mA)<br>Measuring frequency: 1 MHz  |
| 7.2 | DC resistance           | Meet chapter 3 ratings.             | Measuring equipment: digital multimeter<br>Measuring circuit:<br> <p>Measure with the product set to terminal 2 and the switch pressed (open between a and b). When setting or removing the product, press the switch to short between a and b.</p> |
| 7.3 | Self-resonant frequency | Meet chapter 3 ratings.             | Measuring equipment: Keysight 4294A or the equivalent   |
| 7.4 | Rated current           | Product temperature rise: 40°C max. | Apply the rated current from chapter 3.   |

## 8. Mechanical Performance

| No. | Item       | Specification   | Test method  |
|-----|------------|---|--|
| 8.1 | Shear test | No significant mechanical damage or no sign of electrode peeling off shall be observed. | Force application direction:<br> <p>Applying force: 10 N<br/>Holding time: 5 s±1 s</p> |

| No. | Item                         | Specification  | Test method  |
|-----|------------------------------|--|--|
| 8.2 | Bending test                 | No significant mechanical damage or no sign of electrode peeling off shall be observed.                | <p>Test substrate: glass-epoxy substrate (100 mm × 40 mm × 1.0 mm)<br/>           Pressurizing speed: 0.5 mm/s<br/>           Deflection: 3 mm<br/>           Holding time: 30 s</p>  <p style="text-align: right;">(in mm)</p>                                      |
| 8.3 | Vibration                    | Appearance shall have no significant mechanical damage.  | <p>Oscillation frequency: 10 Hz to 2000 Hz, for approx. 20 min<br/>           Total amplitude: total amplitude of 3.0 mm or acceleration amplitude of 245 m/s<sup>2</sup>, whichever is smaller<br/>           Test time: 3 directions perpendicular to each other, 4 h for each direction (12 h in total)</p>   |
| 8.4 | Drop                         | Appearance shall have no significant mechanical damage.  | <p>The product shall be dropped so that it falls freely onto concrete or a steel board.<br/>           Height: 1 m<br/>           Number of falls: 10 times</p>  |
| 8.5 | Solderability                | 90% or more of the outer electrode shall be covered with new solder seamlessly.                        | <p>Flux: immersed in ethanol solution with a rosin content of 25(wt)% for 5 s to 10 s<br/>           Solder: Sn-3.0Ag-0.5Cu solder<br/>           Pre-heating: 150°C±10°C/60 s to 90 s<br/>           Solder temperature: 240°C±5°C<br/>           Immersion time: 3 s±1 s</p>   |
| 8.6 | Resistance to soldering heat | Appearance: No significant mechanical damage shall be observed.<br>Inductance change rate: within ±20% | <p>Flux: immersed in ethanol solution with a rosin content of 25(wt)% for 5 s to 10 s<br/>           Solder: Sn-3.0Ag-0.5Cu solder<br/>           Pre-heating: 150°C±10°C/60 s to 90 s<br/>           Solder temperature: 270°C±5°C<br/>           Immersion time: 10 s±1 s<br/>           Post-treatment: left at a room temperature for 24 h±2 h</p> |

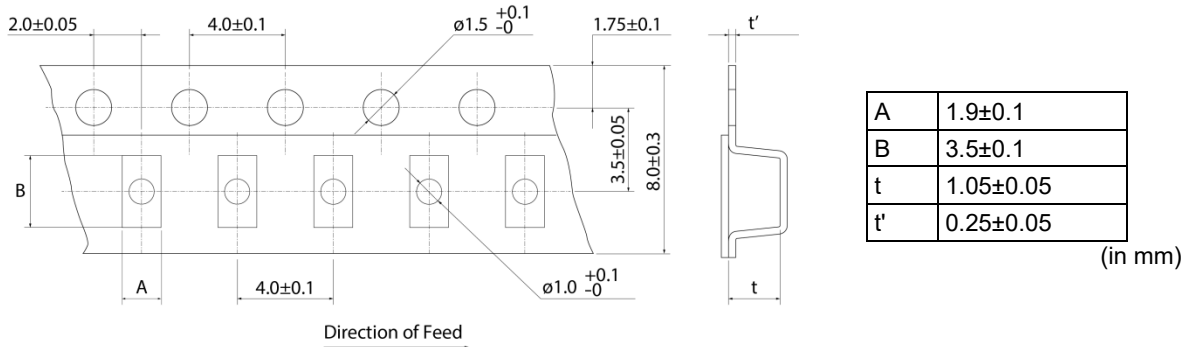
## 9. Environmental Performance

The product is soldered on a substrate for test.

| No. | Item              | Specification  | Test method  |
|-----|-------------------|--|--|
| 9.1 | Heat resistance   | Appearance: No significant mechanical damage shall be observed.<br>Inductance change rate: within ±20% | <p>Temperature: 125°C±2°C<br/>           Test time: 1000 h (+48 h, -0 h)<br/>           Post-treatment: left at a room temperature for 24 h±2 h</p>  |
| 9.2 | Cold resistance   | Appearance: No significant mechanical damage shall be observed.<br>Inductance change rate: within ±20% | <p>Temperature: -55°C±2°C<br/>           Test time: 1000 h (+48 h, -0 h)<br/>           Post-treatment: left at a room temperature for 24 h±2 h</p>  |
| 9.3 | Humidity          | Appearance: No significant mechanical damage shall be observed.<br>Inductance change rate: within ±20% | <p>Temperature: 40°C±2°C<br/>           Humidity: 90% (RH) to 95% (RH)<br/>           Test time: 1000 h (+48 h, -0 h)<br/>           Post-treatment: left at a room temperature for 24 h±2 h</p>   |
| 9.4 | Temperature cycle | Appearance: No significant mechanical damage shall be observed.<br>Inductance change rate: within ±20% | <p>Single cycle conditions:<br/>           Step 1: -55°C±2°C/30 min±3 min<br/>           Step 2: ordinary temperature/10 min to 15 min<br/>           Step 3: +125°C±2°C/30 min±3 min<br/>           Step 4: ordinary temperature/10 min to 15 min<br/>           Number of testing: 100 cycles<br/>           Post-treatment: left at a room temperature for 24 h±2 h</p> |

## 10. Specification of Packaging

### 10.1 Appearance and dimensions of tape (8 mm width/plastic tape)



\* The dimensions of the cavity are measured at its bottom.

### 10.2 Taping specifications

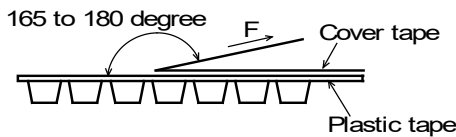
|                                      |  |
|--------------------------------------|--|
| Packing quantity (Standard quantity) | 3000 pcs/reel  |
| Packing method                       | The products are placed in embossed cavities of a plastic tape and sealed by a cover tape.   |
| Feed hole position                   | The feed holes on the plastic tape are on the right side when the cover tape is pulled toward the user.  |
| Joint                                | The plastic tape and the cover tape are seamless.  |
| Number of missing products           | Number of missing products within 0.025% of the number per reel or 1 pc., whichever is greater, and are not continuous. The specified quantity per reel is kept. |

### 10.3 Break down force of tape

|                                  |           |
|----------------------------------|-----------|
| Break down force of plastic tape | 10 N min. |
| Break down force of cover tape   | 5 N min.  |

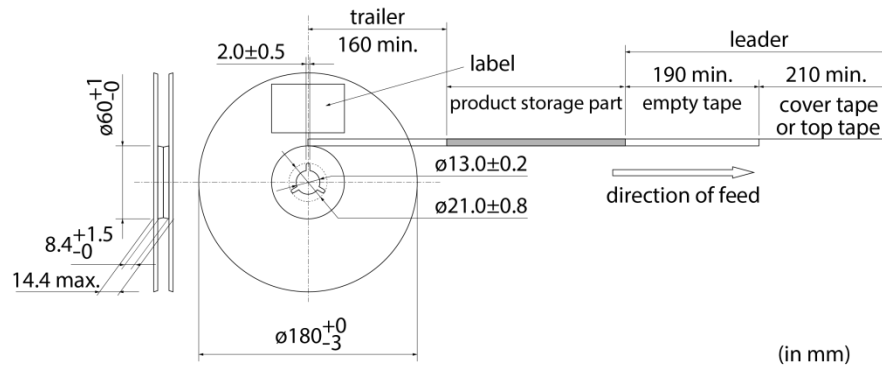
### 10.4 Peeling off force of cover tape

|                      |  |
|----------------------|--|
| Speed of peeling off | 300 mm/min   |
| Peeling off force    | 0.1 N to 0.7 N (The lower limit is for typical value.) |



### 10.5 Dimensions of leader section, trailer section and reel

A vacant section is provided in the leader (start) section and trailer (end) section of the tape for the product. The leader section is further provided with an area consisting only of the cover tape (or top tape). (See the diagram below.)



(in mm)

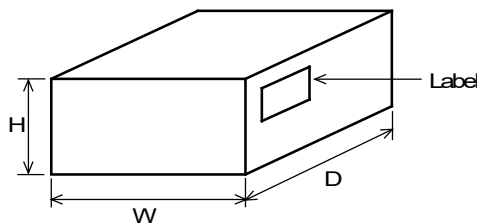
**10.6 Marking for reel**

Customer part number, Murata part number, inspection number (\*1), RoHS marking (\*2), quantity, etc.

|  |   |
|--|---|
| *1 Expression of inspection No.:<br>□□    ○○○○    ◇◇◇◇<br>—    —    —<br>(1)    (2)    (3) | (1) Factory code<br>(2) Date<br>First digit: year/last digit of year<br>Second digit: month/Jan. to Sep.→1 to 9, Oct. to Dec.→O, N, D<br>Third, Fourth digit: day<br>(3) Serial No. |
| *2 Expression of RoHS marking:<br>ROHS-    Y    (△)<br>—    —    —<br>(1)    (2)           | (1) RoHS regulation conformity<br>(2) Murata classification number  |

**10.7 Marking on outer box (corrugated box)**

Customer name, purchasing order number, customer part number, Murata part number, RoHS marking (\*2), quantity, etc.

**10.8 Specification of outer box**

| Dimensions of outer box (mm)   |     |    | Standard reel quantity in outer box (reel) |
|--|-----|----|--|
| W  | D   | H  |  |
| 186  | 186 | 93 | 5  |
| * Above outer box size is typical. It depends on a quantity of an order. |     |    |  |

**11. ⚠Caution****11.1 Limitation of applications**

The products listed in the reference specification (hereinafter the product(s) is called as the "Product(s)") are designed and manufactured for applications specified in the reference specification (hereinafter called as the "Specific Application"). We shall not warrant anything in connection with the Products including fitness, performance, adequateness, safety, or quality, in the case of applications listed in from (1) to (11) written at the end of this precautions, which may generally require high performance, function, quality, management of production or safety. Therefore, the Product shall be applied in compliance with the specific application.

WE DISCLAIM ANY LOSS AND DAMAGES ARISING FROM OR IN CONNECTION WITH THE PRODUCTS INCLUDING BUT NOT LIMITED TO THE CASE SUCH LOSS AND DAMAGES CAUSED BY THE UNEXPECTED ACCIDENT, IN EVENT THAT (i) THE PRODUCT IS APPLIED FOR THE PURPOSE WHICH IS NOT SPECIFIED AS THE SPECIFIC APPLICATION FOR THE PRODUCT, AND/OR (ii) THE PRODUCT IS APPLIED FOR ANY FOLLOWING APPLICATION PURPOSES FROM (1) TO (11) (EXCEPT THAT SUCH APPLICATION PURPOSE IS UNAMBIGUOUSLY SPECIFIED AS SPECIFIC APPLICATION FOR THE PRODUCT IN OUR CATALOG SPECIFICATION FORMS, DATASHEETS, OR OTHER DOCUMENTS OFFICIALLY ISSUED BY US\*).

- (1) Aircraft equipment
- (2) Aerospace equipment
- (3) Undersea equipment
- (4) Power plant control equipment
- (5) Medical equipment
- (6) Transportation equipment
- (7) Traffic control equipment
- (8) Disaster prevention/security equipment
- (9) Industrial data-processing equipment
- (10) Combustion/explosion control equipment
- (11) Equipment with complexity and/or required reliability equivalent to the applications listed in the above.

For exploring information of the Products which will be compatible with the particular purpose other than those specified in the reference specification, please contact our sales offices, distribution agents, or trading companies with which you make a deal, or via our web contact form.

Contact form: <https://www.murata.com/contactform>

\* We may design and manufacture particular Products for applications listed in (1) to (11). Provided that, in such case we shall unambiguously specify such Specific Application in the reference specification without any exception. Therefore, any other documents and/or performances, whether exist or non-exist, shall not be deemed as the evidence to imply that we accept the applications listed in (1) to (11).

### 11.2 Precautions on rating

Avoid using in exceeded the rated temperature range, rated voltage, or rated current.  
Usage when the ratings are exceeded could lead to wire breakage, burning, or other serious fault.

### 11.3 Inrush current

If an inrush current (or pulse current or rush current) that significantly exceeds the rated current is applied to the product, overheating could occur, resulting in wire breakage, burning, or other serious fault.

## 12. Precautions for Use

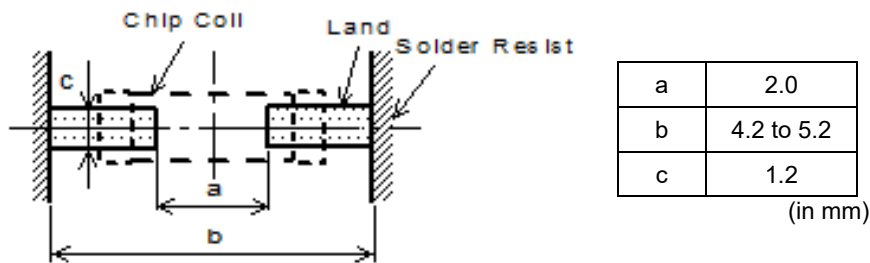
This product is designed to be mounted by soldering. If you want to use other mounting method, for example, using a conductive adhesive, please consult us beforehand.

Also, if repeatedly subjected to temperature cycles or other thermal stress, due to the difference in the coefficient of thermal expansion with the mounting substrate, the solder (solder fillet part) in the mounting part may crack.

The occurrence of cracks due to thermal stress is affected by the size of the land where mounted, the solder volume, and the heat dissipation of the mounting substrate. Carefully design it when a large change in ambient temperature is assumed.

### 12.1 Land dimensions

The following diagram shows the recommended land dimensions for flow and reflow soldering:



### 12.2 Flux and solder used

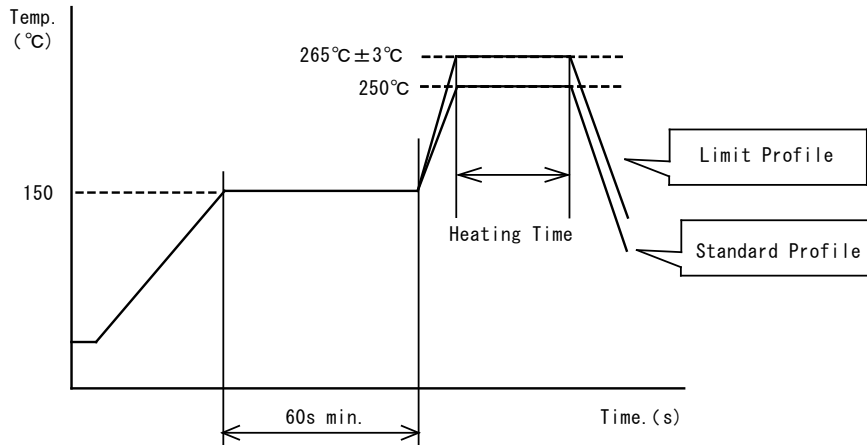
|        |   |
|--------|---|
| Flux   | <ul style="list-style-type: none"> <li>• Use a rosin-based flux.</li> <li>• Do not use a highly acidic flux with a halide content exceeding 0.2 mass% (chlorine conversion value).</li> <li>• Do not use a water-soluble flux.</li> </ul> |
| Solder | <ul style="list-style-type: none"> <li>• Use Sn-3.0Ag-0.5Cu solder.</li> <li>• Standard thickness of solder paste: 100 μm to 150 μm</li> </ul>  |

If you want to use a flux other than the above, please consult our technical department.

### 12.3 Soldering conditions (flow, reflow)

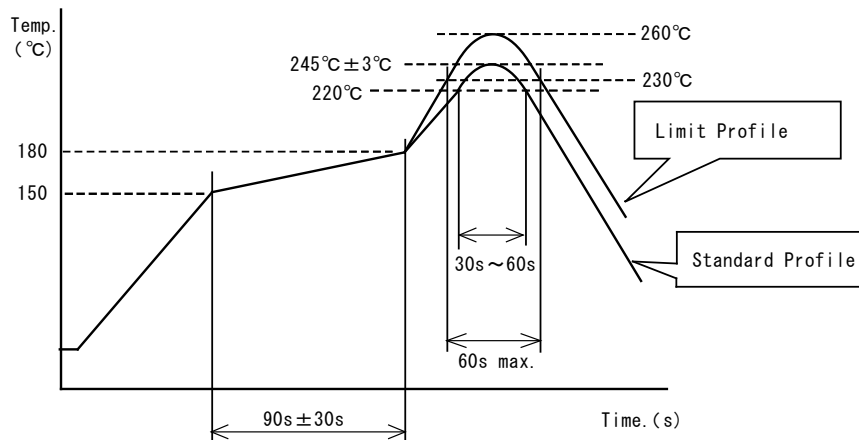
- Pre-heating should be in such a way that the temperature difference between solder and product surface is limited to 150°C max.  
Cooling into solvent after soldering also should be in such a way that the temperature difference is limited to 100°C max.  
Insufficient pre-heating may cause cracks on the product, resulting in the deterioration of product quality.
- Standard soldering profile and the limit soldering profile is as follows.  
The excessive limit soldering conditions may cause leaching of the electrode and/or resulting in the deterioration of product quality.

(1) Flow



|                       | Standard profile | Limit profile   |
|-----------------------|------------------|-----------------|
| Pre-heating           | 150°C/60 s min.  | 150°C/60 s min. |
| Heating               | 250°C/4 s to 6 s | 265°C±3°C/5 s   |
| Number of flow cycles | 2 times          | 2 times         |

(2) Reflow



|                         | Standard profile         | Limit profile            |
|-------------------------|--------------------------|--------------------------|
| Pre-heating             | 150°C to 180°C/90 s±30 s | 150°C to 180°C/90 s±30 s |
| Heating                 | Above 220°C/30 s to 60 s | Above 230°C/60 s max.    |
| Peak temperature        | 245°C±3°C                | 260°C/10 s               |
| Number of reflow cycles | 2 times                  | 2 times                  |

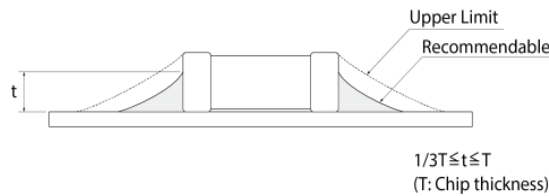
## 12.4 Reworking with soldering iron

The following requirements must be met to rework a soldered product using a soldering iron.

| Item  | Requirement         |
|---|---------------------|
| Pre-heating   | 150°C/approx. 1 min |
| Tip temperature of soldering iron   | 350°C max.          |
| Power consumption of soldering iron   | 80 W max.           |
| Tip diameter of soldering iron  | ø3 mm max.          |
| Soldering time  | 3 s (+1 s, -0 s)    |
| Number of reworking operations  | 2 times max.        |
| * Avoid a direct contact of the tip of the soldering iron with the product. Such a direction contact may cause cracks in the ceramic body due to thermal shock. |                     |

## 12.5 Solder volume

Solder shall be used not to be exceeded the upper limits as shown below.



An increased solder volume increases mechanical stress on the product. Exceeding solder volume may cause the failure of mechanical or electrical performance.

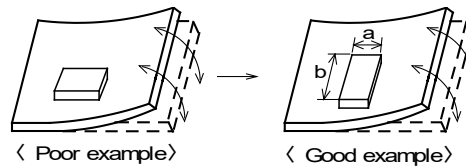
## 12.6 Product's location

The following shall be considered when designing and laying out PCBs.

(1) PCB shall be designed so that products are not subject to mechanical stress due to warping the board.

[Products direction]

Products shall be located in the sideways direction (length:  $a < b$ ) to the mechanical stress.

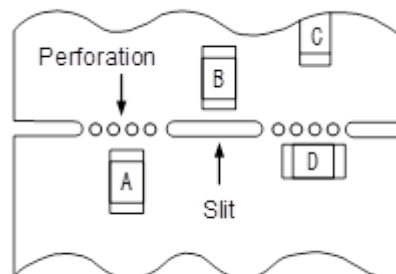


(2) Components location on PCB separation

It is effective to implement the following measures, to reduce stress in separating the board.

It is best to implement all of the following three measures; however, implement as many measures as possible to reduce stress.

| Contents of measures   | Stress level |
|--|--------------|
| (1) Turn the mounting direction of the component parallel to the board separation surface.   | $A > D^{*1}$ |
| (2) Add slits in the board separation part.  | $A > B$      |
| (3) Keep the mounting position of the component away from the board separation surface.  | $A > C$      |
| *1 $A > D$ is valid when stress is added vertically to the perforation as with hand separation. If a cutting disc is used, stress will be diagonal to the PCB, therefore $A > D$ is invalid. |              |

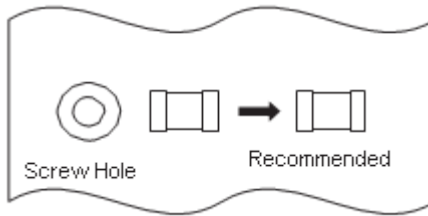




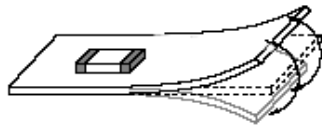
**(3) Mounting components near screw holes**

When a component is mounted near a screw hole, it may be affected by the board deflection that occurs during the tightening of the screw.

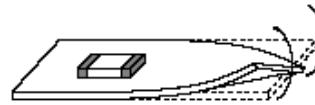
Mount the component in a position as far away from the screw holes as possible.

**12.7 Handling of substrate**

After mounting products on a substrate, do not apply any stress to the product caused by bending or twisting to the substrate when cropping the substrate, inserting and removing a connector from the substrate or tightening screw to the substrate. Excessive mechanical stress may cause cracking in the product.



Bending



Twisting

**12.8 Cleaning**

The product shall be cleaned under the following conditions.

- (1) The cleaning temperature shall be 60°C max. If isopropyl alcohol (IPA) is used, the cleaning temperature shall be 40°C max.
- (2) Perform ultrasonic cleaning under the following conditions. Exercise caution to prevent resonance phenomenon in mounted products and the PCB.

| Item      | Requirement      |
|-----------|------------------|
| Power     | 20 W/L max.      |
| Time      | 5 min max.       |
| Frequency | 28 kHz to 40 kHz |

**(3) Cleaner**

Alcohol-based cleaner: IPA

Aqueous agent: PINE ALPHA ST-100S

- (4) There shall be no residual flux or residual cleaner. When using aqueous agent, rinse the product with deionized water adequately and completely dry it so that no cleaner is left.

\* For other cleaning, consult our technical department.

**12.9 Storage and transportation**

|                    |  |
|--------------------|--|
| Storage period     | Use the product within 6 months after delivery.<br>If you do not use the product for more than 6 months, check solderability before using it.  |
| Storage conditions | <ul style="list-style-type: none"> <li>• The products shall be stored in a room not subject to rapid changes in temperature and humidity. The recommended temperature range is -10°C to +40°C. The recommended relative humidity range is 15% to 85%. Keeping the product in corrosive gases, such as sulfur, chlorine gas or acid may cause the poor solderability.</li> <li>• Do not place the products directly on the floor; they should be placed on a palette so that they are not affected by humidity or dust.</li> <li>• Avoid keeping the products in a place exposed to direct sunlight, heat or vibration.</li> <li>• Do not keep products in bulk packaging. Bulk storage could result in collisions between the products or between the products and other parts, resulting in chipping or wire breakage.</li> <li>• Avoid storing the product by itself bare (i.e. exposed directly to air).</li> </ul> |
| Transportation     | Excessive vibration and impact reduces the reliability of the products. Exercise caution when handling the products.   |

**12.10 Resin coating (including moisture-proof coating)**

When the product is coated/molded with resin, its electrical characteristics may change.

A wire breakage issue may occur by mechanical stress caused by the resin, amount/cured shape of resin, or operating condition etc.

Some resins contain impurities or hydrolyzable chlorine, which could result in corrosion of the conducting materials, leading to wire breakage.

So, please pay your careful attention when you select resin in case of coating/molding the products with the resin.

Prior to use the coating resin, please make sure no reliability issue is observed by evaluating products mounted on your board.

**12.11 Mounting conditions**

Check the mounting condition before using.

Using mounting conditions (nozzles, equipment conditions, etc.) that are not suitable for products may lead to pick up errors, misalignment, or damage to the product.

**12.12 Operating environment**

Do not use this product under the following environmental conditions as it may cause deterioration of product quality.

(1) In the corrodible atmosphere such as acidic gases, alkaline gases, chlorine, sulfur gases, organic gases and etc.

(the sea breeze, Cl<sub>2</sub>, H<sub>2</sub>S, NH<sub>3</sub>, SO<sub>2</sub>, NO<sub>2</sub>, etc)

(2) In the atmosphere where liquid such as organic solvent, may splash on the products.

(3) In the atmosphere where the temperature/humidity changes rapidly and it is easy to dew.

**12.13 Mounting density**

If this product is placed near heat-generating products, be sure to implement sufficient heat-dissipating measures.

If this product is subjected to a significant amount of heat from other products, this could adversely affect product quality, resulting in a circuit malfunction or failure of the mounted section. Also, be sure that the product is used in a manner so that the heat that the product is subjected to from other products does not exceed the upper limit of the rated operating temperature for the product.

**12.14 Handling of product**

Inductance could change due to the effect of magnetism.

Do not use magnetized tweezers, magnets, or other similar tools when handling the product (instead, use tweezers with resin or ceramic tips).

**13. ⚠️Note**

(1) Please make sure that your product has been evaluated in view of your specifications with our product being mounted to your product.

(2) You are requested not to use our product deviating from the reference specifications.

(3) The contents of this reference specification are subject to change without advance notice. Please approve our product specifications or transact the approval sheet for product specifications before ordering.