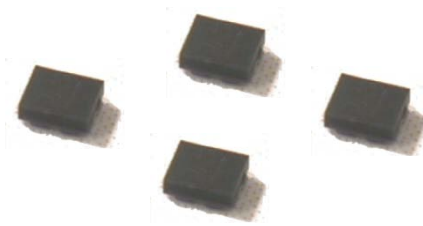




Data Sheet of SAW Components



Note : Murata SAW Component is applicable for Cellular /Cordless phone (Terminal) relevant market only.

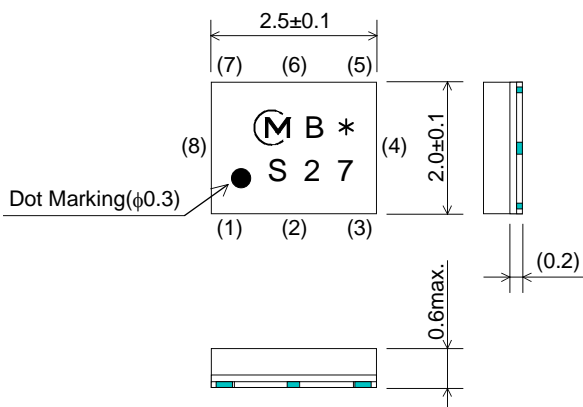
Please also read caution at the end of this document.

SAW FILTER FOR J-CDMA

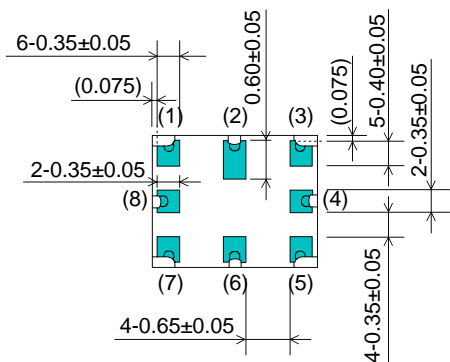
Murata part number :SAYEV827MAB0F00[Tx →ANT]

Package Dimensions

Top View



Bottom View



Marking
: Laser Printing

- (1) : Tx
- (3) : Rx
- (6) : ANT
- Others : Ground

Unit : mm

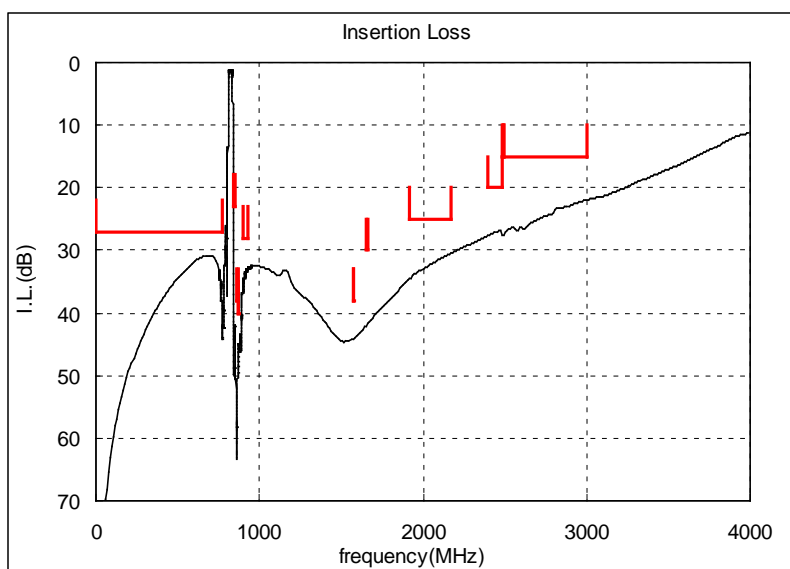
Specification

Item	Specification		
	-30 to 85°C	25±2°C	typ.
Nominal Center Frequency(f_c)	927MHz		
Insertion Loss (824 to 830MHz)	2.1 dB max.	2.0 dB max.	1.5 dB
Absolute Attenuation			
1) 0.1 to 770 MHz	27 dB min.	27 dB min.	31 dB
2) 843 to 846 MHz	23 dB min.	23 dB min.	40 dB
3) 860 to 869 MHz	38 dB min.	38 dB min.	46 dB
4) 869 to 875 MHz	40 dB min.	40 dB min.	45 dB
5) 898 to 925 MHz	28 dB min.	28 dB min.	33 dB
6) 1574 to 1577 MHz	38 dB min.	38 dB min.	43 dB
7) 1648 to 1660 MHz	30 dB min.	30 dB min.	41 dB
8) 1920 to 2170 MHz	25 dB min.	25 dB min.	30 dB
9) 2400 to 2484 MHz	20 dB min.	20 dB min.	27 dB
10) 2484 to 2490 MHz	15 dB min.	15 dB min.	27 dB
11) 2490 to 3000 MHz	15 dB min.	15 dB min.	22 dB
Ripple Deviation (824 to 830MHz)	1.0 dB max.	1.0 dB max.	0.1 dB
VSWR (824 to 830MHz)	1.8 max.	1.8 max.	1.2
Impedance at Tx port(normal)	50Ω		
Impedance at ANT port(normal)	100Ω//9.1nH		
Input Signal Level	1.0W, 50000 hours (50°C)		

SAW FILTER FOR J-CDMA

Murata part number :SAYEV827MAB0F00[Tx →ANT]

Frequency Performance

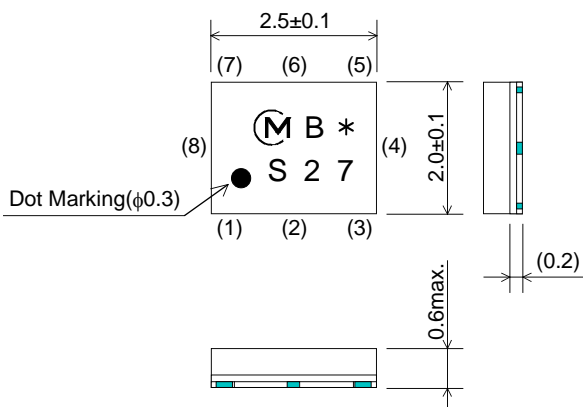


SAW FILTER FOR J-CDMA

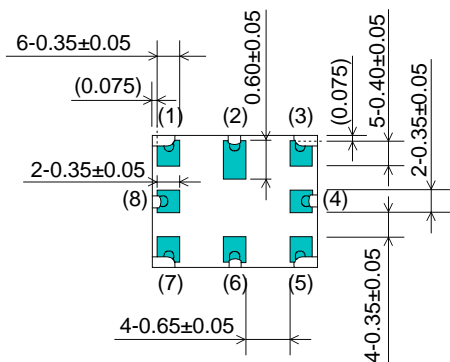
Murata part number :SAYEV827MAB0F00[ANT→Rx]

Package Dimensions

Top View



Bottom View



Marking
: Laser Printing

(1) : Tx

(3) : Rx

(6) : ANT

Others : Ground

Unit : mm

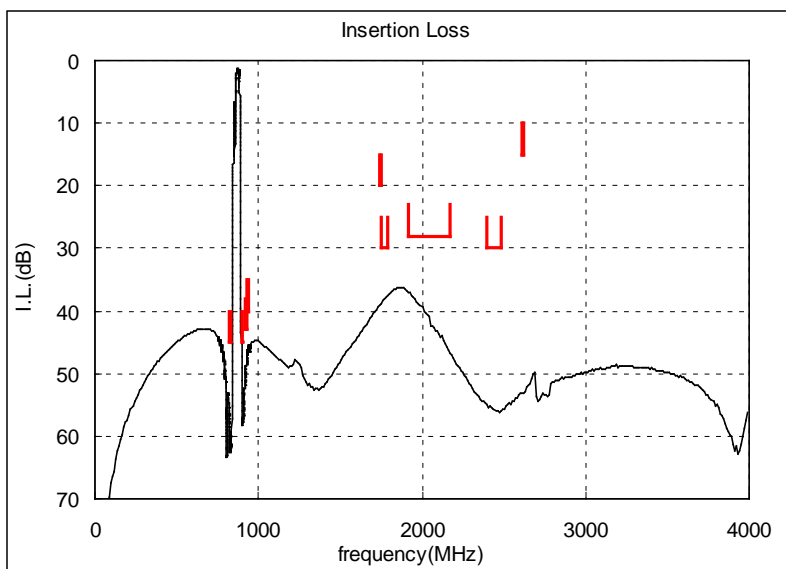
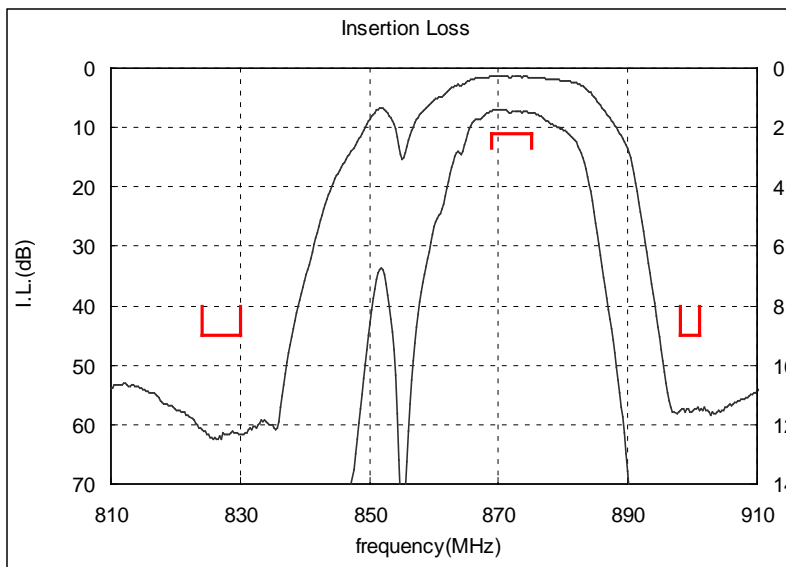
Specification

Item	Specification		
	-30 to 85°C	25±2°C	typ.
Nominal Center Frequency(fc)	856.5MHz		
Insertion Loss (869 to 875MHz)	2.2 dB max.	2.1 dB max.	1.5 dB
Absolute Attenuation			
1) 824 to 830 MHz	45 dB min.	45 dB min.	60 dB
2) 898 to 901 MHz	45 dB min.	45 dB min.	57 dB
3) 915 to 925 MHz	43 dB min.	43 dB min.	48 dB
4) 925 to 940 MHz	40 dB min.	40 dB min.	45 dB
5) 1738 to 1750 MHz	20 dB min.	20 dB min.	37 dB
6) 1750 to 1785 MHz	30 dB min.	30 dB min.	36 dB
7) 1920 to 2170 MHz	28 dB min.	28 dB min.	37 dB
8) 2400 to 2484 MHz	30 dB min.	30 dB min.	54 dB
9) 2607 to 2625 MHz	15 dB min.	15 dB min.	52 dB
Ripple Deviation (869 to 875MHz)	1.0 dB max.	1.0 dB max.	0.1 dB
VSWR (869 to 875MHz)	2.0 max.	2.0 max.	1.2
Impedance at ANT port(normal)	50Ω//9.1nH		
Impedance at Rx port(normal)	100Ω		

SAW FILTER FOR J-CDMA

Murata part number :SAYEV827MAB0F00[ANT→Rx]

Frequency Performance

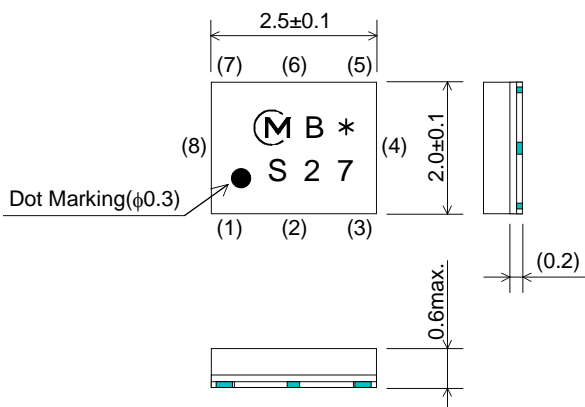


SAW FILTER FOR J-CDMA

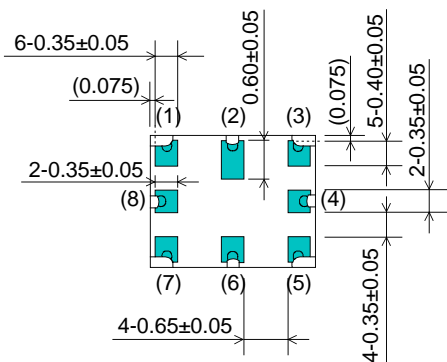
Murata part number :SAYEV827MAB0F00[Tx →Rx]

Package Dimensions

Top View



Bottom View



Marking
: Laser Printing

(1) : Tx

(3) : Rx

(6) : ANT

Others : Ground

Unit : mm

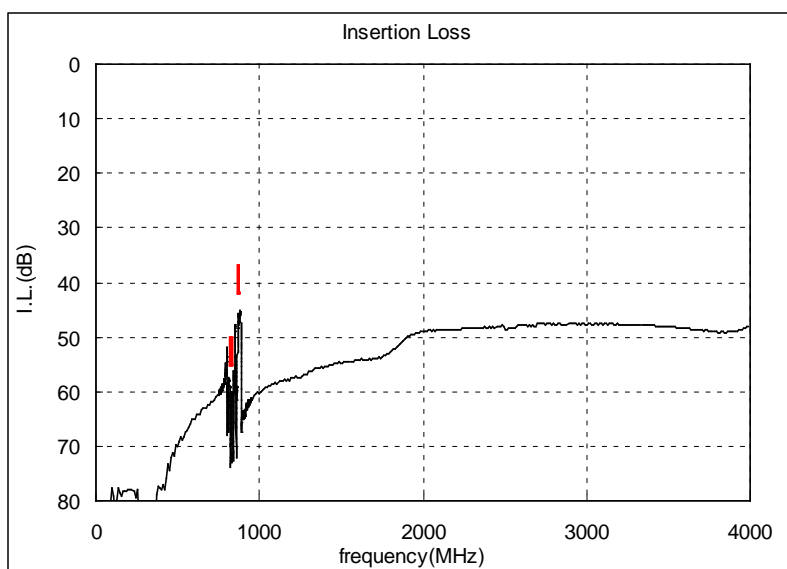
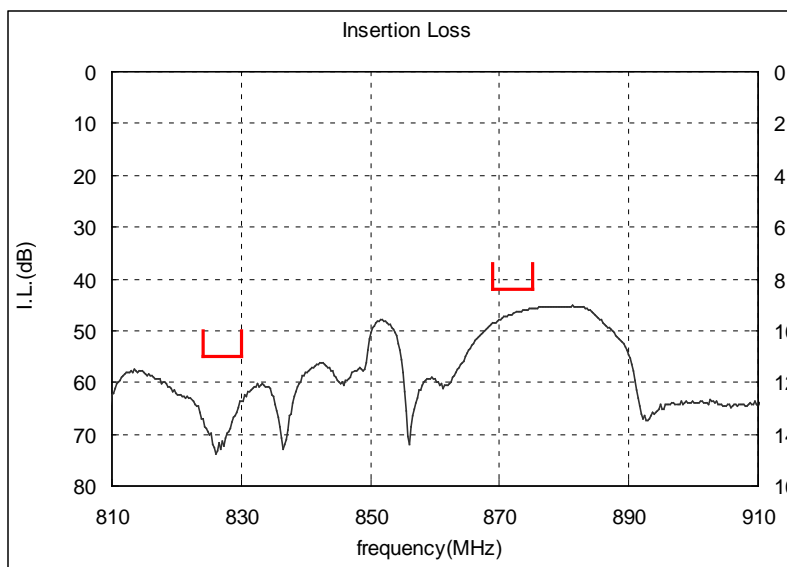
Specification

Item	Specification		
	-30 to 85°C	25±2°C	typ.
Isolation			
1) 824 to 930 MHz	55 dB min.	55 dB min.	64 dB
2) 869 to 975 MHz	42 dB min.	42 dB min.	45 dB

SAW FILTER FOR J-CDMA

Murata part number :SAYEV827MAB0F00[Tx →Rx]

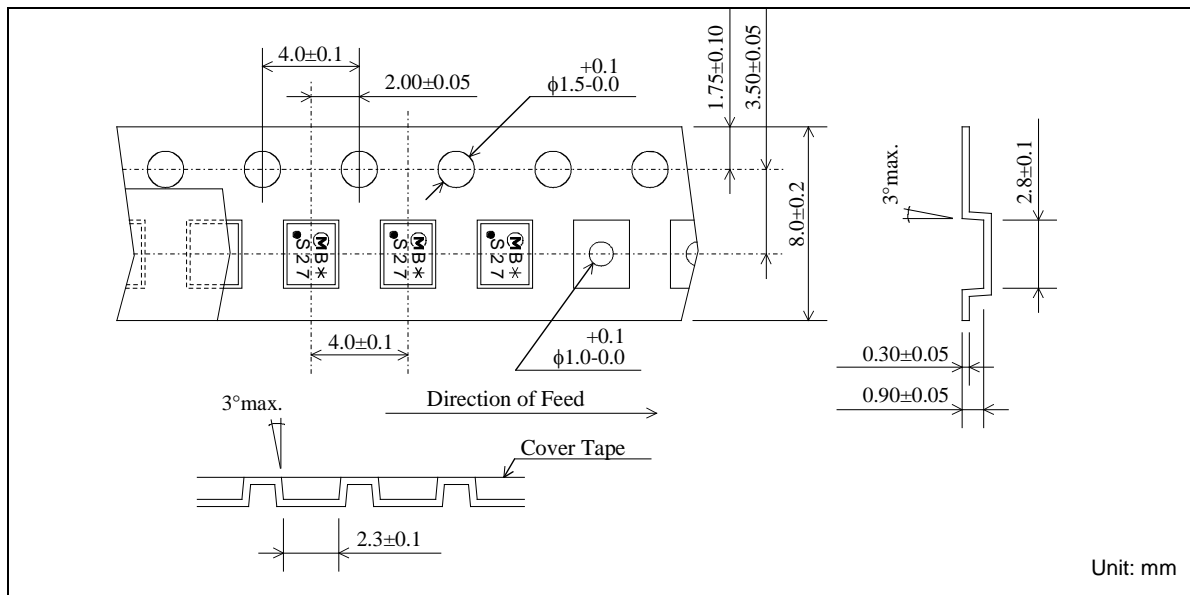
Frequency Performance



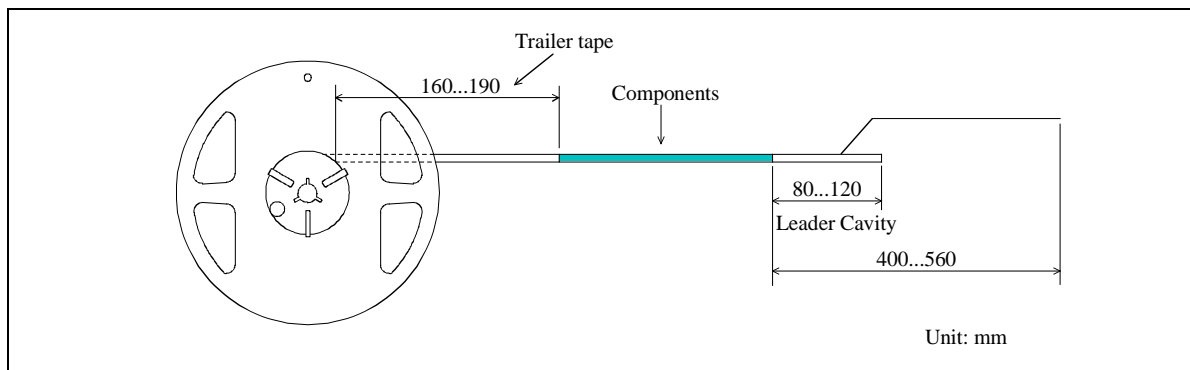
SAW FILTER FOR J-CDMA

Murata part number :SAYEV827MAB0F00

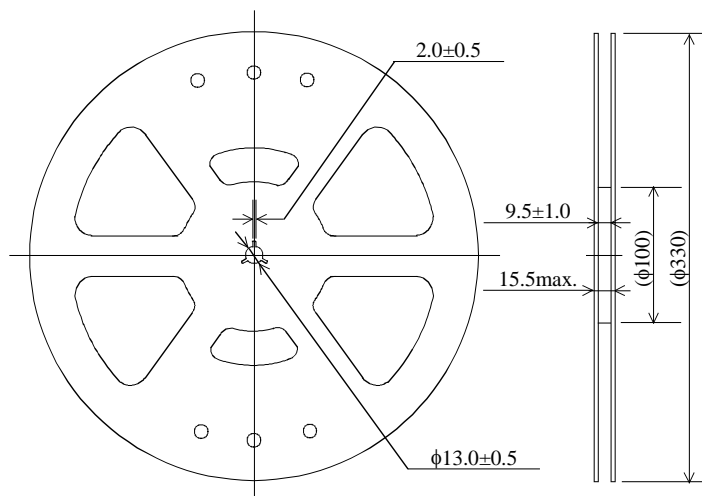
Dimensions of Carrier Tape



Dimensions of Tape



Dimensions of Reel



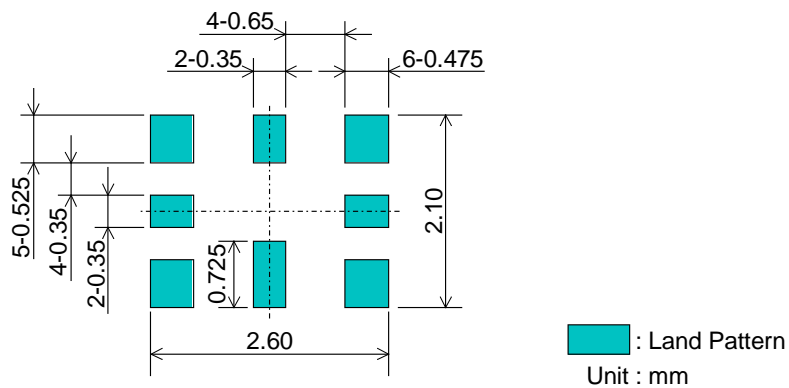
SAYEV827MAB0F00R00 ... 10000pcs/reel
SAYEV827MAB0F00R05 ... 5000pcs/reel

SAW FILTER FOR J-CDMA

Murata part number :SAYEV827MAB0F00

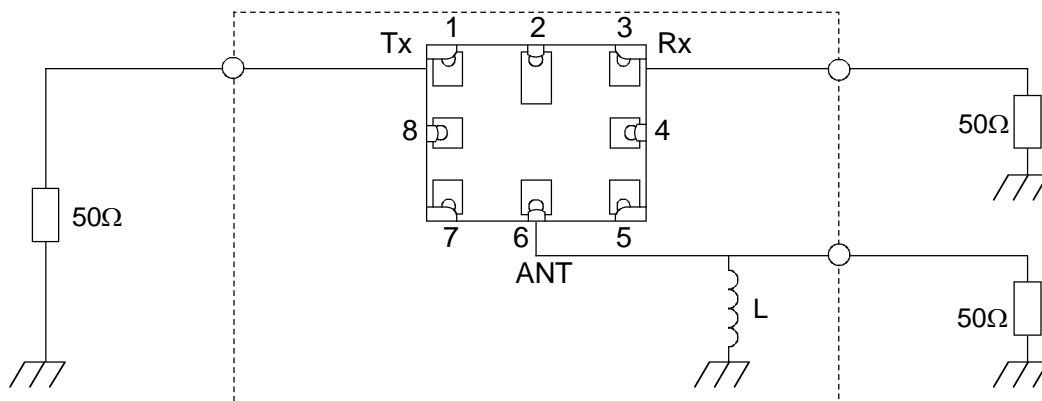
Recommended Land Pattern

Top View



Test Circuit

Bottom View



SAW FILTER FOR J-CDMA

■ RoHS Compliance

This component is compliant with RoHS directive.

This component was always RoHS compliant from the first date of manufacture.

• Caution - Limitation of Applications

This product is intended for the following applications only; however, please do not use this product in these applications where defects might directly cause damage to a third party's life, body or property.

- a. Mobile Telephone
- b. Cordless phone (except for Automotive use)
- c. PC (Including Notebook PC, Netbook PC, Tablet)
- d. Game
- e. Camera (except for Business/security use)
- f. Set Top Box
- g. Electronic dictionary
- h. Digital audio equipment

• This catalog is for reference only and not an official product specification document, therefore, please review and approve our official product specification before ordering this product.