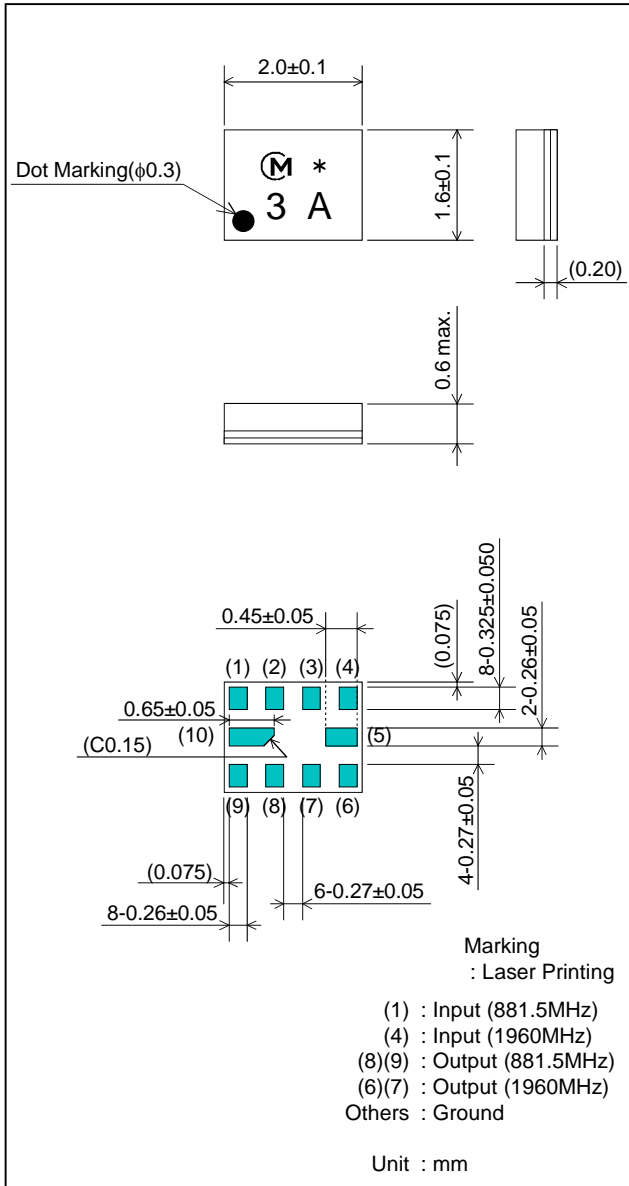


SAW FILTER FOR CDMA800/1900 & UMTS BC2/BC5

Murata part number : SAWEP881MCZ2F00 ($f_c=881.5\text{MHz}$)

Package Dimensions



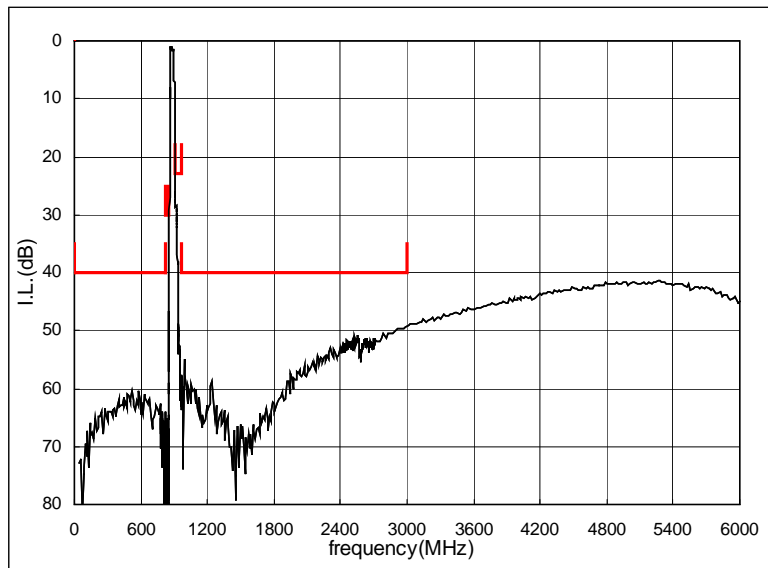
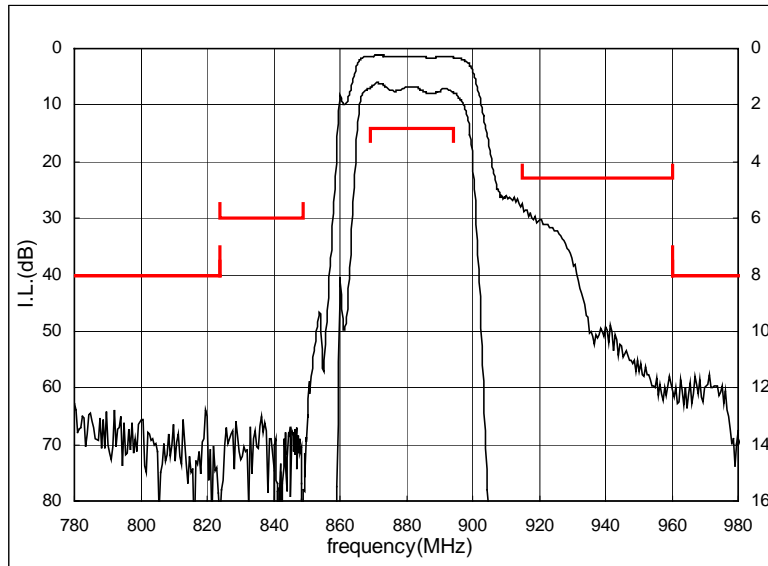
Specification

Item	Specification	
	-30 to +85°C	typ.
Nominal Center Frequency(f_c)	881.5 MHz	
Insertion Loss (869 to 894 MHz)	2.8 dB max.	1.6 dB
Absolute Attenuation		
1) 0.1 to 824 MHz	40 dB min.	60 dB
2) 824 to 849 MHz	30 dB min.	60 dB
3) 915 to 960 MHz	23 dB min.	28 dB
4) 960 to 3000 MHz	40 dB min.	49 dB
Ripple Deviation (869 to 894 MHz)	1.5 dB max.	0.4 dB
VSWR (869 to 894 MHz)	2.0 max.	1.7
Amplitude Balance (869 to 894 MHz)	± 1.0 dB max.	-0.2 dB
Phase Balance (869 to 894 MHz)	180 ± 10 deg. max.	180-2deg.
Input Impedance (nominal)	881.5MHz: 50Ω 1960MHz: 50Ω	
Output Impedance (nominal)	881.5MHz: 100Ω 1960MHz: 100Ω	
Input Signal Level	881.5MHz: 31.6mW(+15dBm), 2000h 1960MHz: 20mW(+13dBm), 2000h	

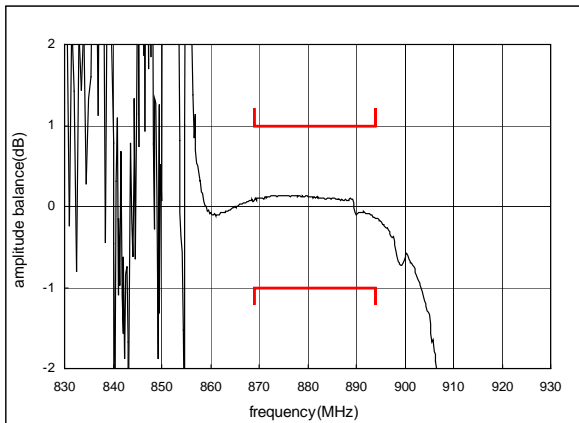
SAW FILTER FOR CDMA800/1900 & UMTS BC2/BC5

Murata part number : SAWEP881MCZ2F00 (fc=881.5MHz)

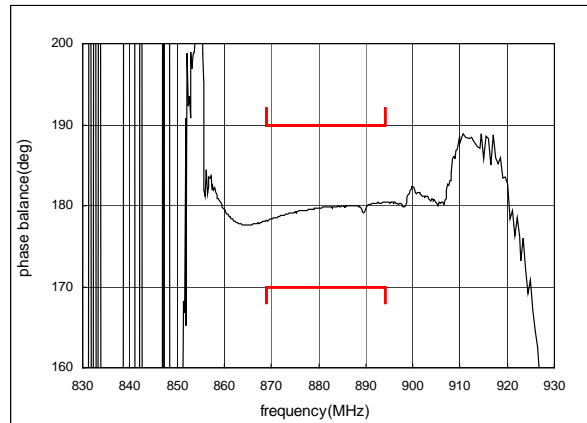
Frequency Performance



Amplitude balance



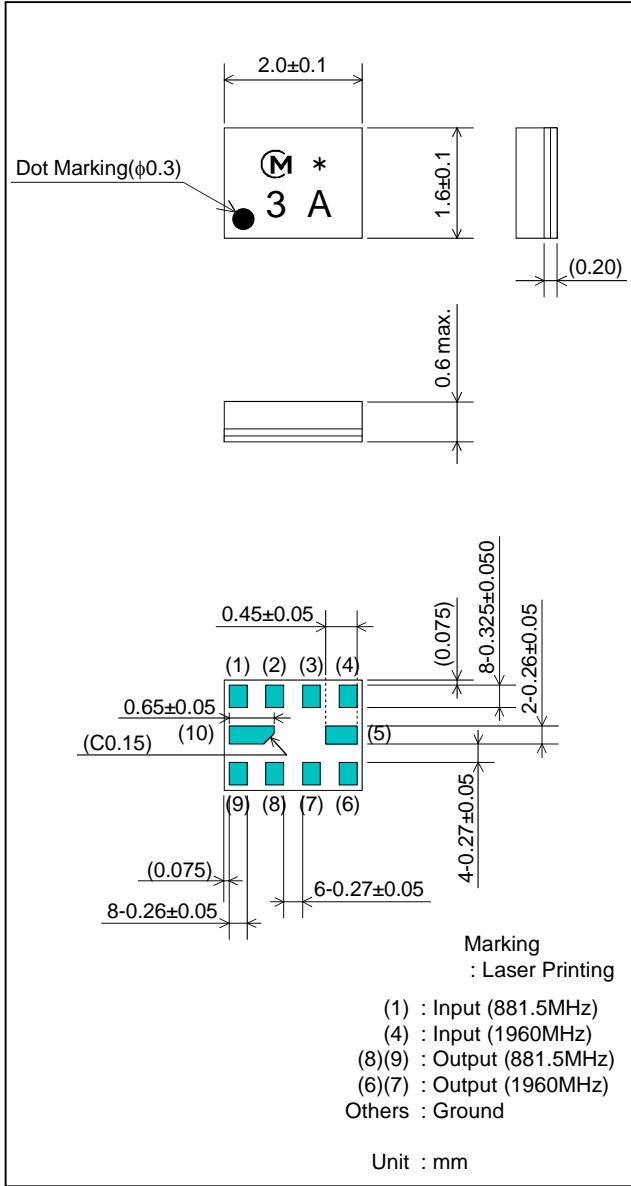
Phase balance



SAW FILTER FOR CDMA800/1900 & UMTS BC2/BC5

Murata part number : SAWEP881MCZ2F00 (fc=1960MHz)

Package Dimensions



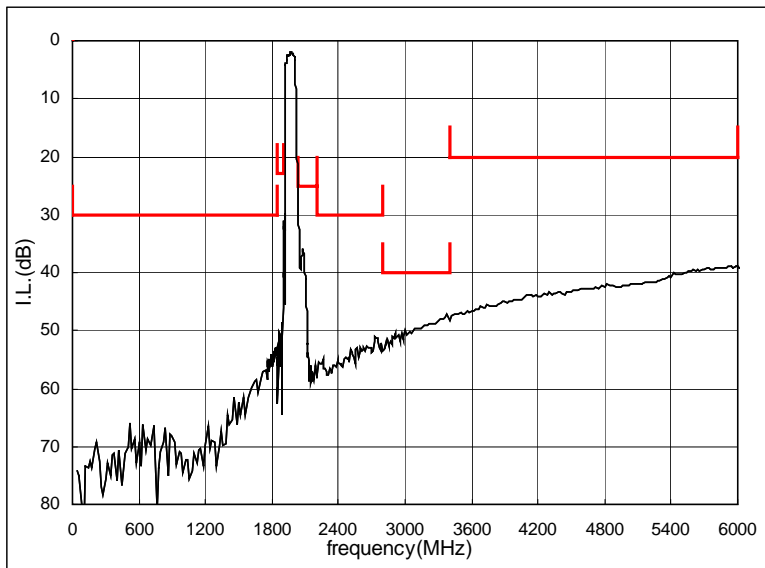
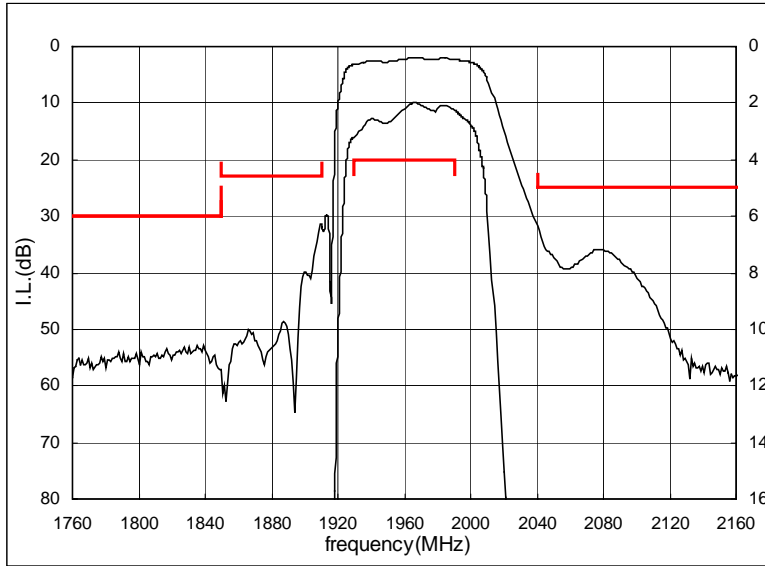
Specification

Item	Specification	
	-30 to +85°C	typ.
Nominal Center Frequency(fc)	1960 MHz	
Insertion Loss (1930 to 1990 MHz)	4.0 dB max.	3.0 dB
Absolute Attenuation		
1) 0.1 to 1850 MHz	30 dB min.	52 dB
2) 1850 to 1910 MHz	23 dB min.	31 dB
3) 2040 to 2200 MHz	25 dB min.	30 dB
4) 2200 to 2800 MHz	30 dB min.	50 dB
5) 2800 to 3400 MHz	40 dB min.	47 dB
6) 3400 to 6000 MHz	20 dB min.	37 dB
Ripple Deviation (1930 to 1990 MHz)	2.1 dB max.	1.1 dB
VSWR (1930 to 1990 MHz)	2.4 max.	1.8
Amplitude Balance (1930 to 1990 MHz)	± 1.7 dB max.	-0.3 dB
Phase Balance (1930 to 1990 MHz)	180 ± 12 deg. max.	180-6deg.
Input Impedance (nominal)	881.5MHz:50Ω 1960MHz:50Ω	
Output Impedance (nominal)	881.5MHz:100Ω 1960MHz:100Ω	
Input Signal Level	881.5MHz:31.6mW(+15dBm),2000h 1960MHz:20mW(+13dBm),2000h	

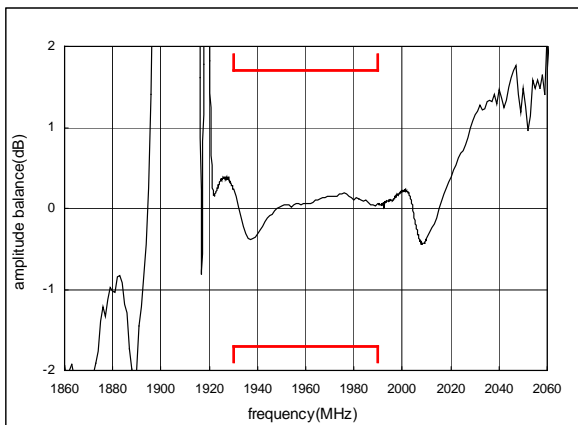
SAW FILTER FOR CDMA800/1900 & UMTS BC2/BC5

Murata part number : SAWEP881MCZ2F00 (fc=1960MHz)

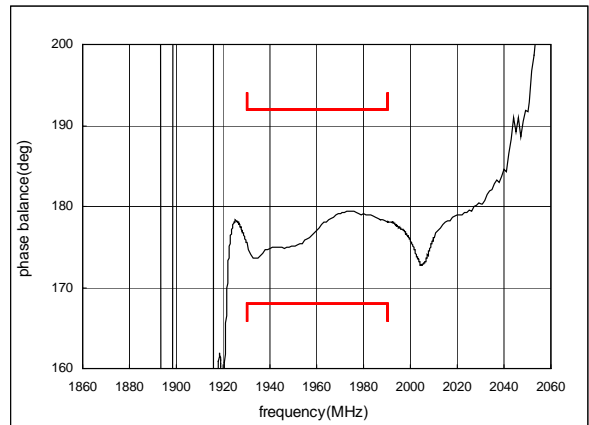
Frequency Performance



Amplitude balance



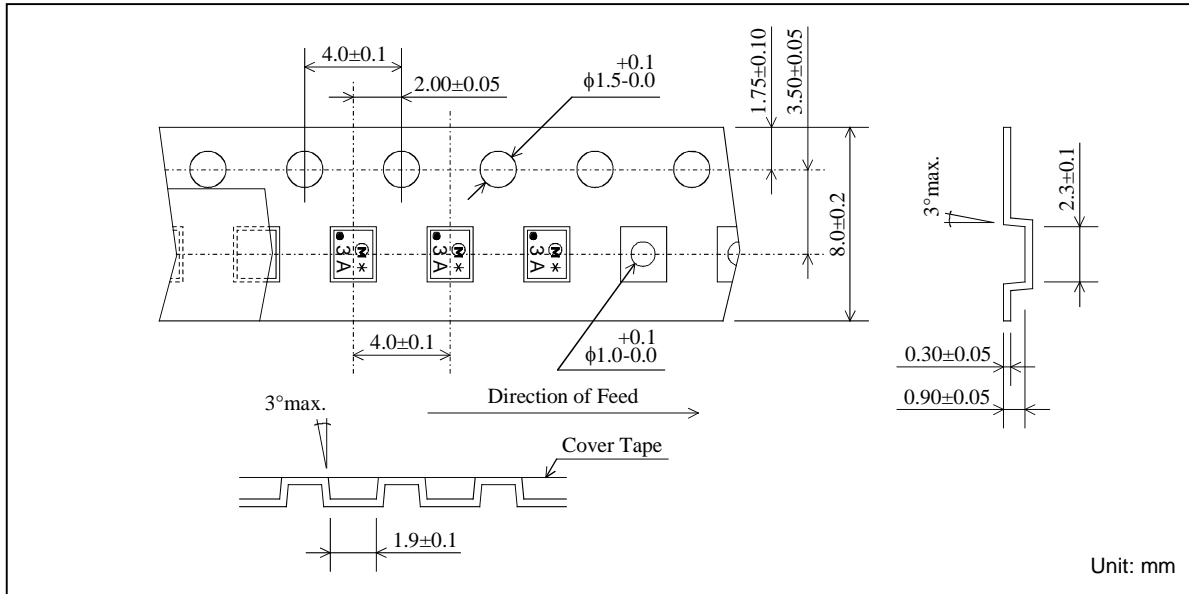
Phase balance



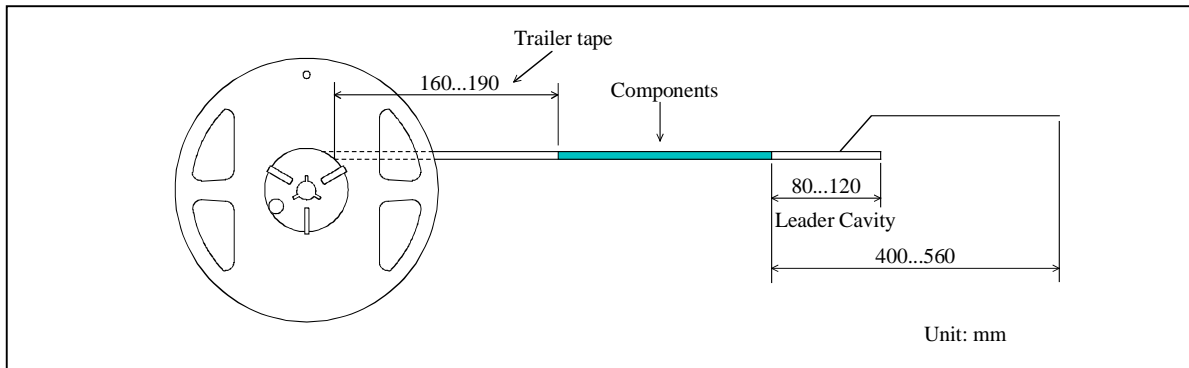
SAW FILTER FOR CDMA800/1900 & UMTS BC2/BC5

Murata part number : SAWEP881MCZ2F00

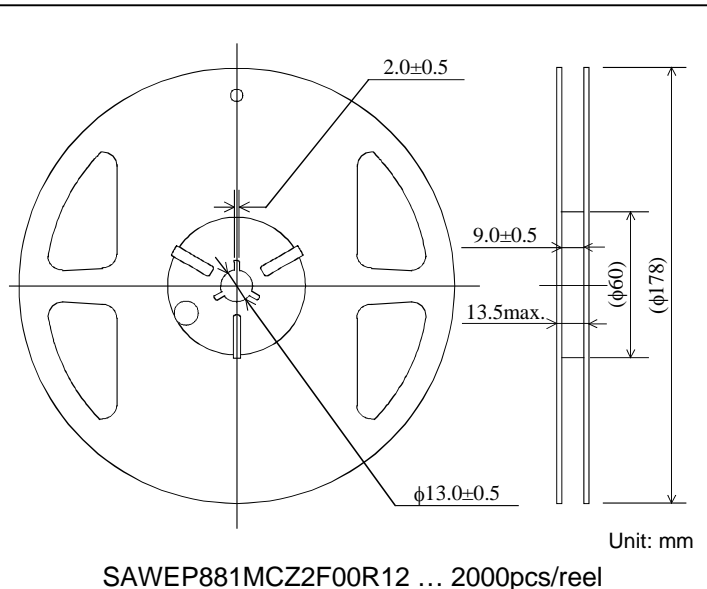
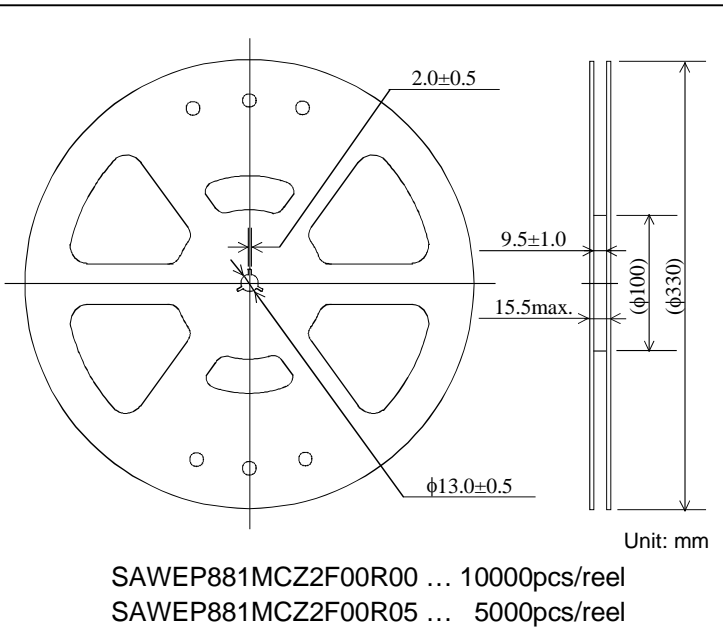
Dimensions of Carrier Tape



Dimensions of Tape



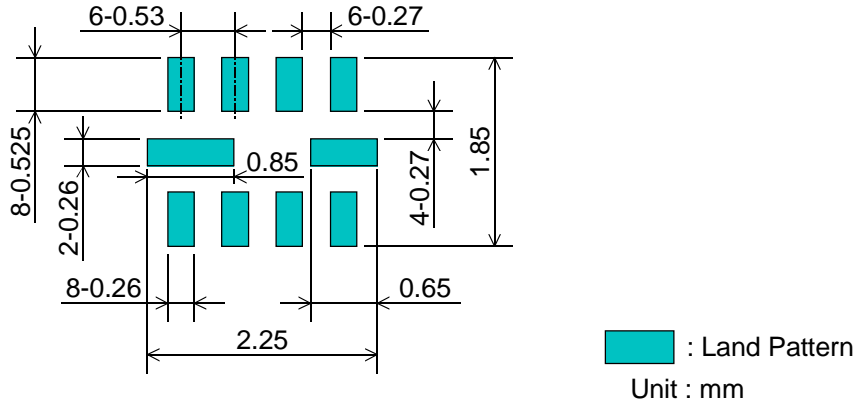
Dimensions of Reel



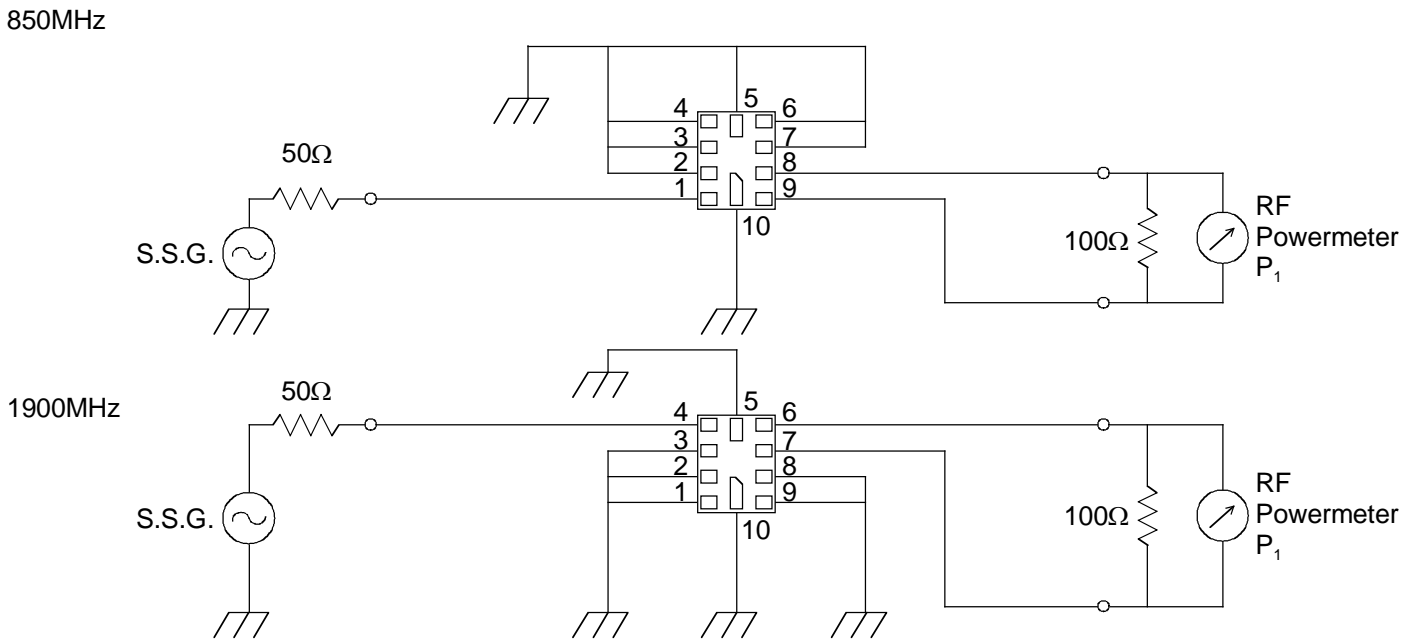
SAW FILTER FOR CDMA800/1900 & UMTS BC2/BC5

Murata part number : SAWEP881MCZ2F00

Recommended Land Pattern



Test Circuit



- This PDF Datasheet is downloaded from the website of Murata Manufacturing Co., Ltd. Therefore, it's specifications are subject to change or our products in it may be discontinued without advance notice. Please check with our sales representatives or product engineers before ordering.
- This PDF Datasheet has only typical specifications because there is no space for detailed specifications. Therefore, please approve our product specifications or transact the approval sheet for product specifications before ordering.