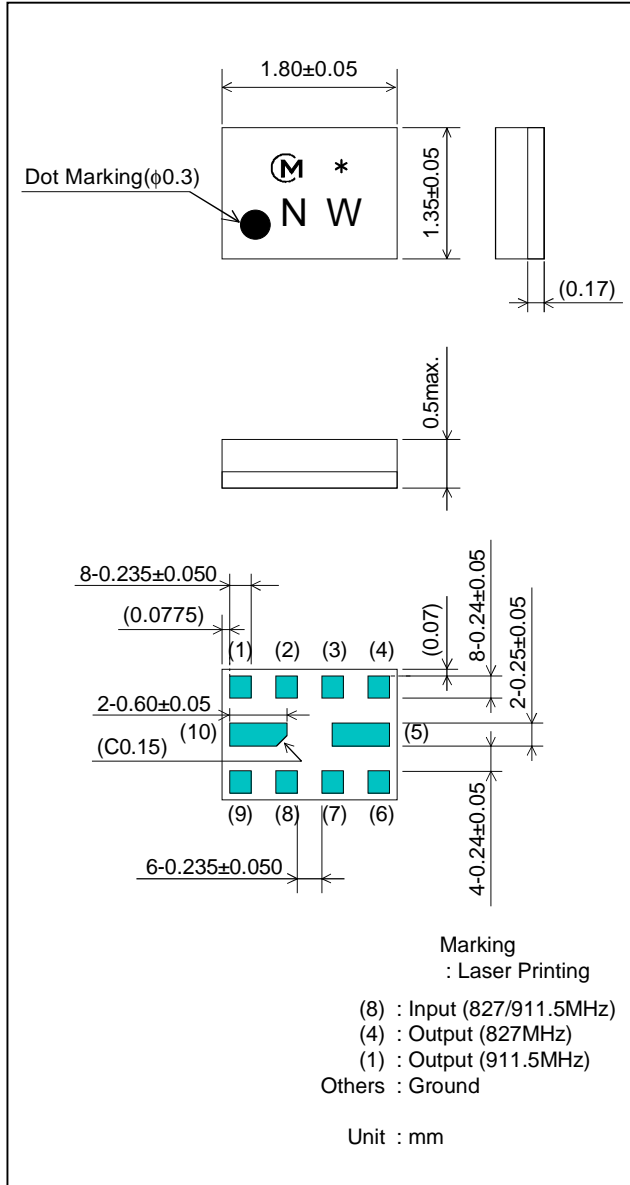


SAW FILTER FOR JCDMA Tx

Murata part number : SAWEN827MAA0F00($f_c=827\text{MHz}$)

■ Package Dimensions



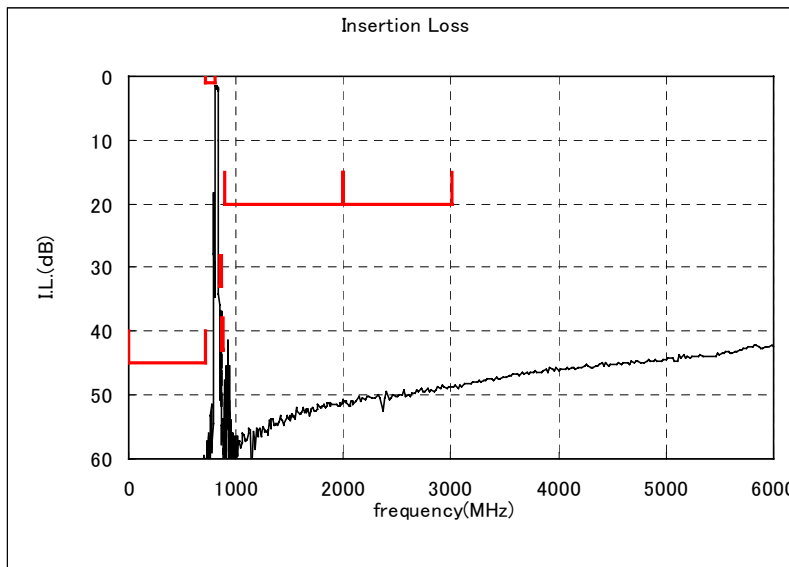
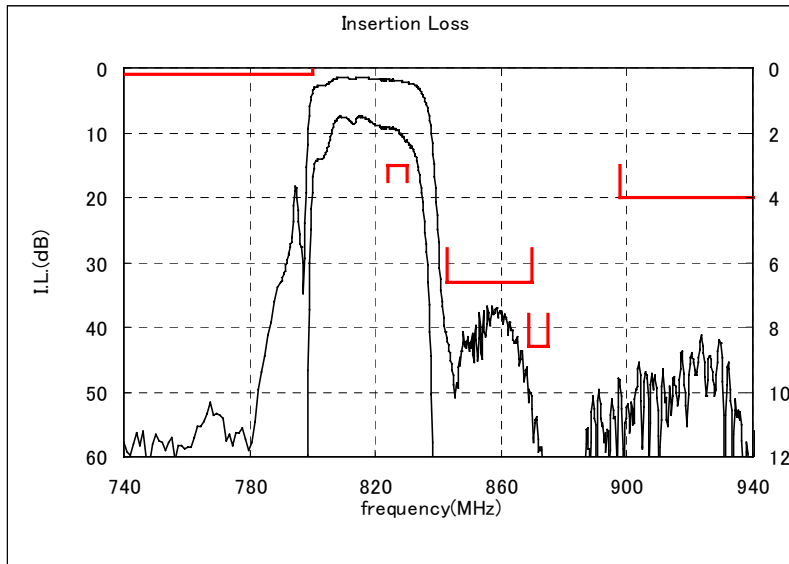
■ Specification

Item	Specification		
	-25 to 85°C	25±2°C	typ.
Nominal Center Frequency(f_c)	827MHz		
Insertion Loss (824 to 830MHz)	3.0dB max.	2.8dB max.	2.3 dB
Absolute Attenuation			
1) 0 to 720 MHz	45 dB min.	45 dB min.	60 dB
2) 720 to 800 MHz	1 dB min.	1 dB min.	4 dB
3) 843 to 870 MHz	33 dB min.	33 dB min.	37 dB
4) 869 to 875 MHz	43 dB min.	43 dB min.	50 dB
5) 898 to 2000 MHz	20 dB min.	20 dB min.	41 dB
6) 2000 to 3000 MHz	20 dB min.	20 dB min.	48 dB
Ripple Deviation (824 to 830MHz)	1.3dB max.	1.0dB max.	0.4 dB
VSWR (824 to 830MHz)	2.0 max.	1.9 max.	1.4
Input Impedance (nominal)	50Ω//10nH		
Output Impedance (nominal)	50Ω		
Input Signal Level	20mW (+13dBm), 2000 hours		

SAW FILTER FOR JCDMA Tx

Murata part number : SAWEN827MAA0F00 ($f_c=827\text{MHz}$)

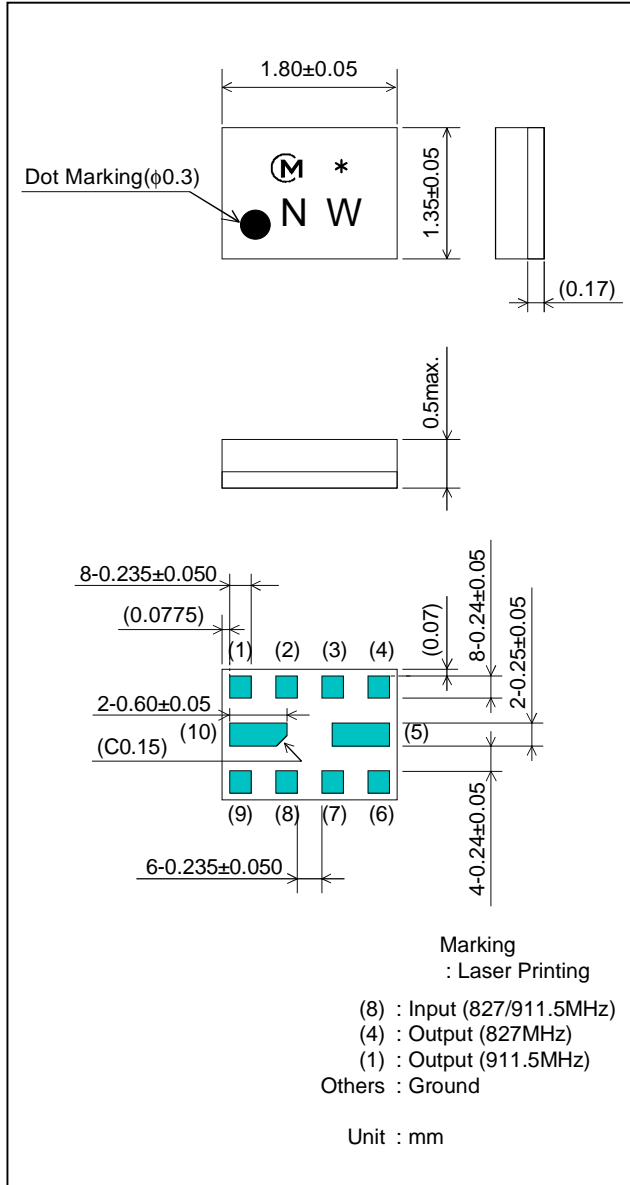
■ Frequency Performance



SAW FILTER FOR JCDMA Tx

Murata part number : SAWEN827MAA0F00 (fc=911.5MHz)

■ Package Dimensions



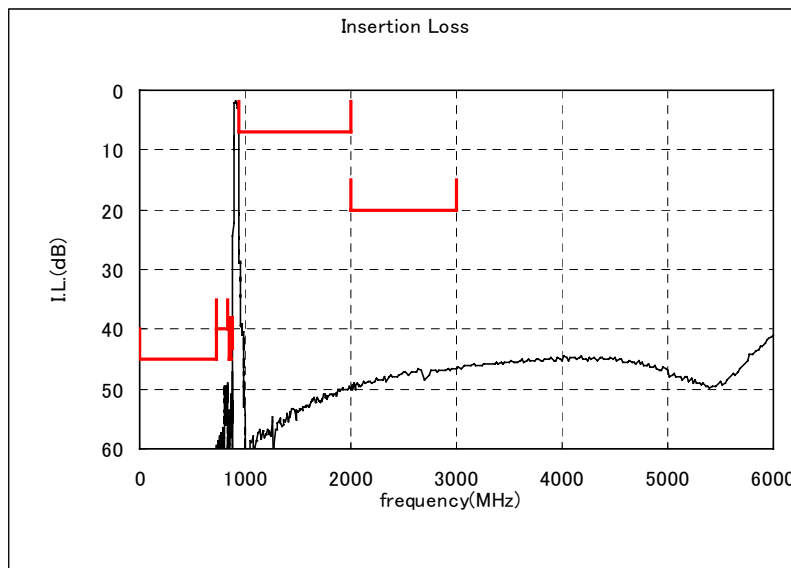
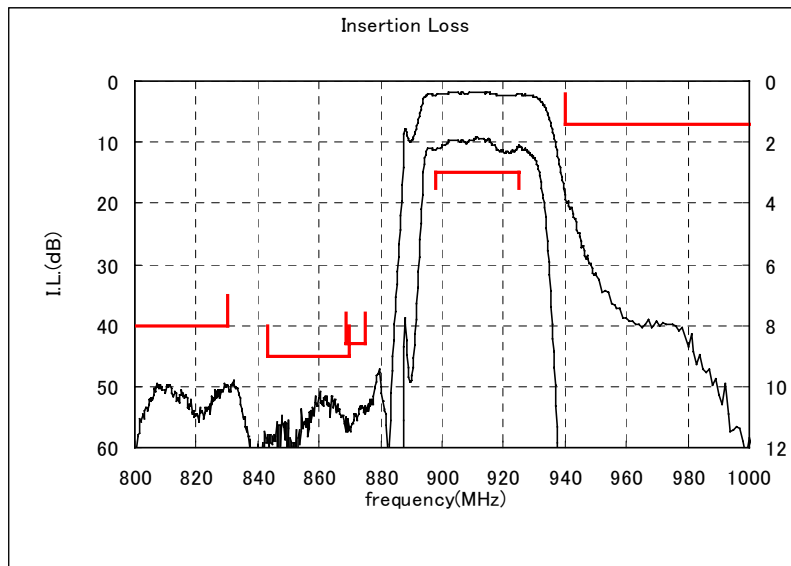
■ Specification

Item	Specification		
	-25 to 85°C	25±2°C	typ.
Nominal Center Frequency(fc)	911.5MHz		
Insertion Loss (898 to 925MHz)	3.0dB max.	2.8dB max.	2.4 dB
Absolute Attenuation			
1) 0 to 720 MHz	45 dB min.	45 dB min.	62 dB
2) 720 to 830 MHz	40 dB min.	40 dB min.	50 dB
3) 843 to 870 MHz	45 dB min.	45 dB min.	51 dB
4) 869 to 875 MHz	43 dB min.	43 dB min.	53 dB
5) 940 to 2000 MHz	7 dB min.	7 dB min.	18 dB
6) 2000 to 3000 MHz	20 dB min.	20 dB min.	47 dB
Ripple Deviation (898 to 925MHz)	1.5dB max.	1.2dB max.	0.5 dB
VSWR (898 to 925MHz)	2.1 max.	2.0 max.	1.8
Input Impedance (nominal)	50Ω//10nH		
Output Impedance (nominal)	50Ω		
Input Signal Level	20mW (+13dBm), 2000 hours		

SAW FILTER FOR JCDMA Tx

Murata part number : SAWEN827MAA0F00 ($f_c=911.5\text{MHz}$)

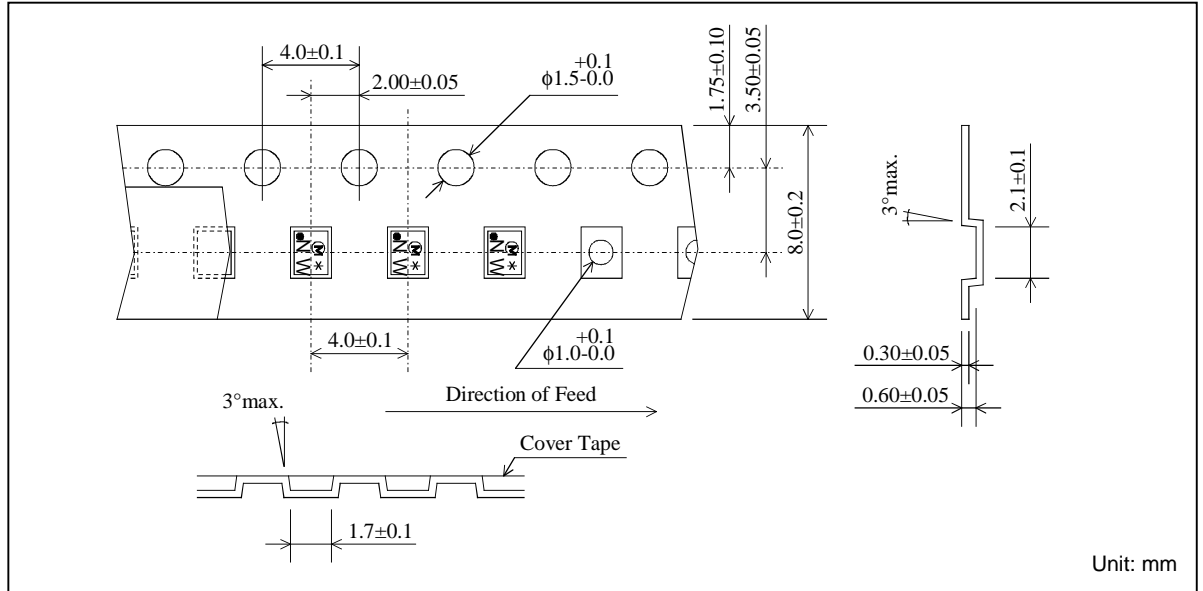
■ Frequency Performance



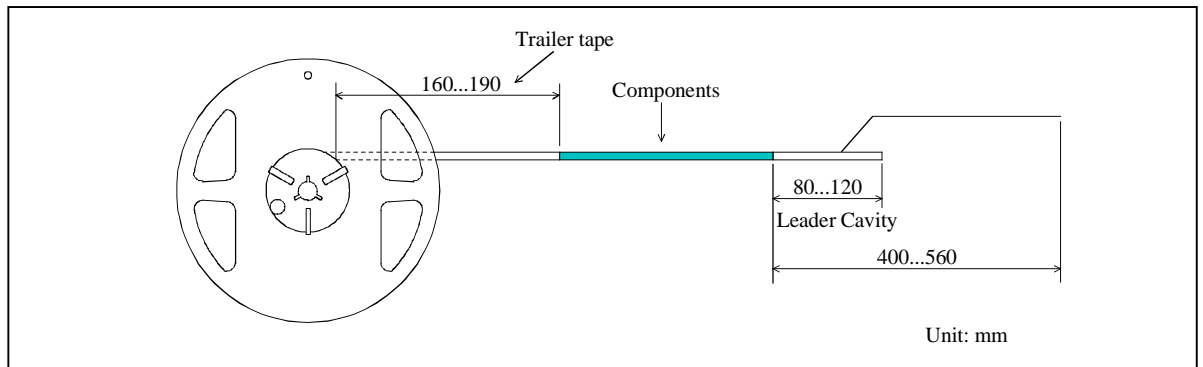
SAW FILTER FOR JCDMA Tx

Murata part number : SAWEN827MAA0F00

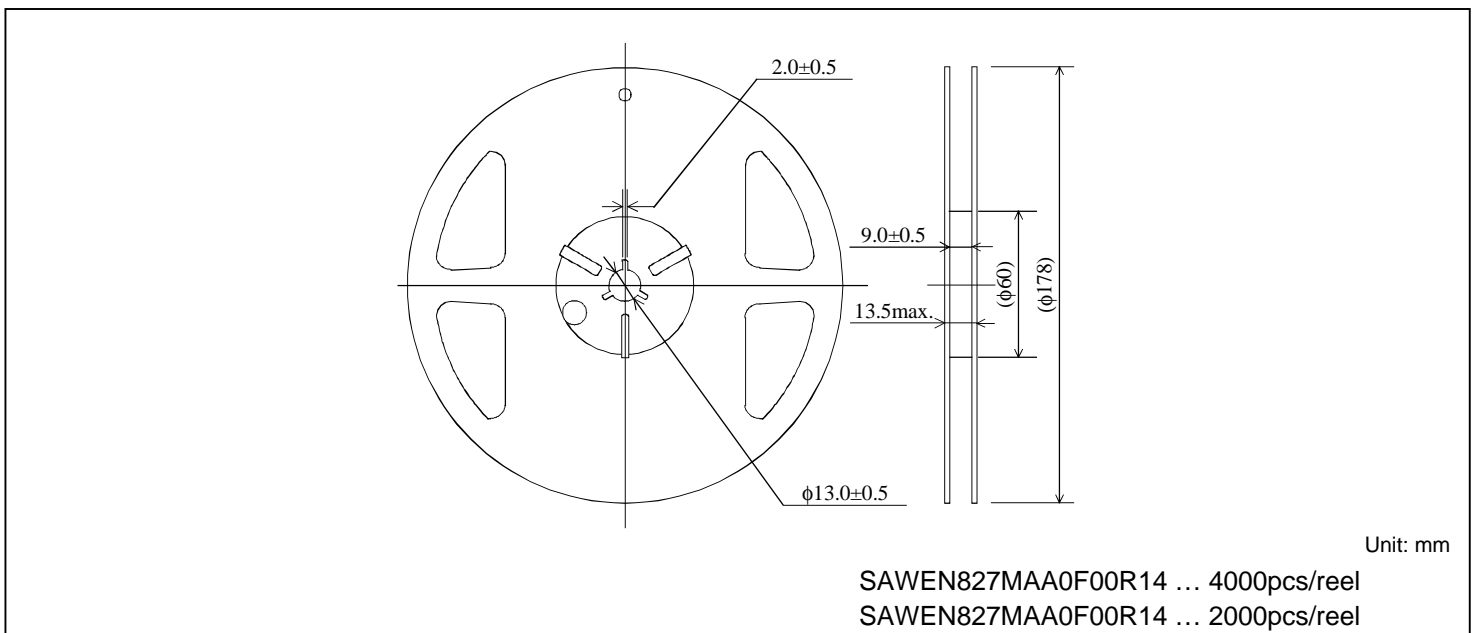
■ Dimensions of Carrier Tape



■ Dimensions of Tape



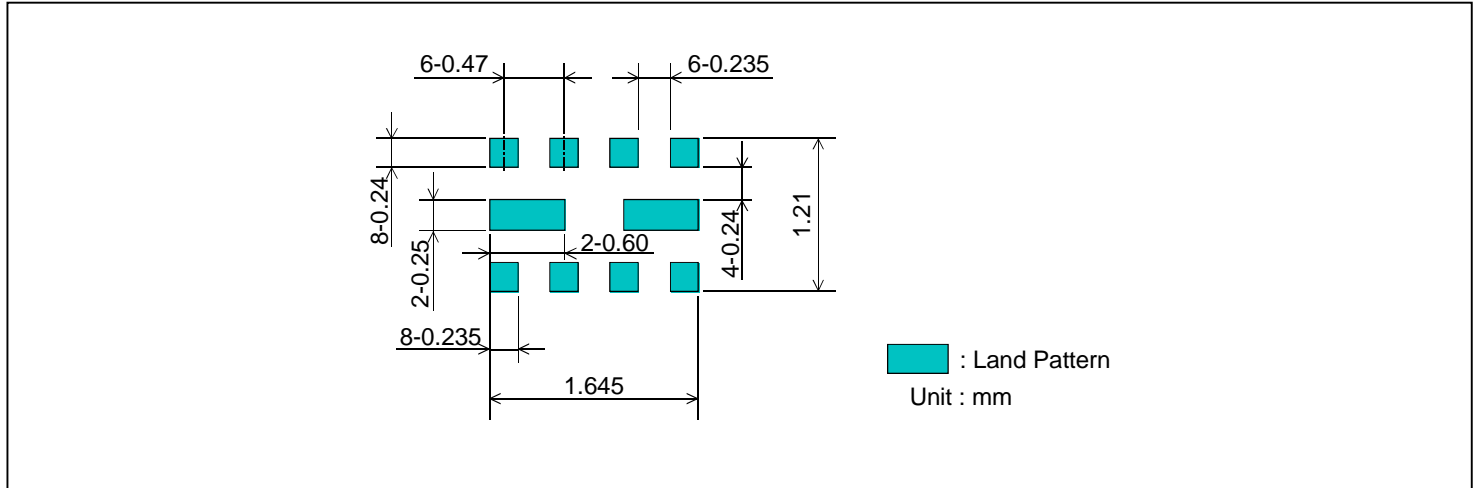
■ Dimensions of Reel



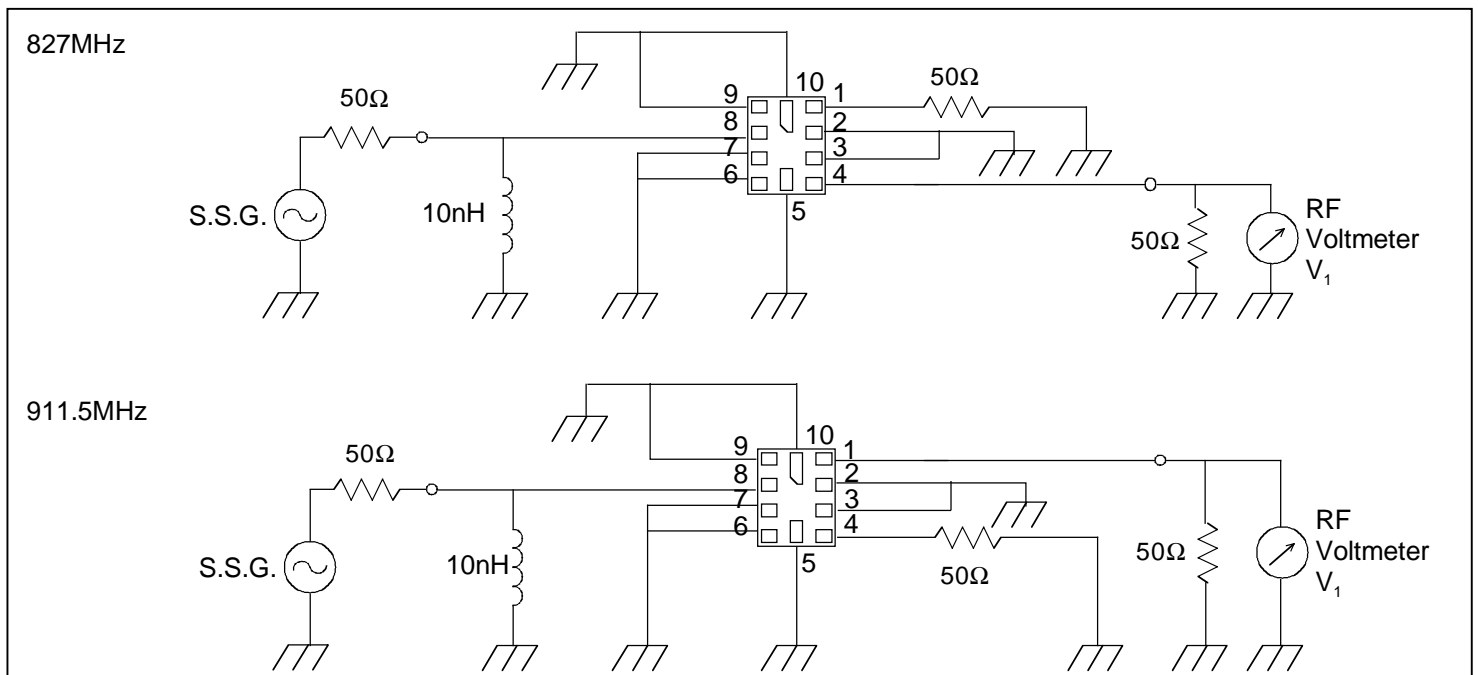
SAW FILTER FOR JCDMA Tx

Murata part number : SAWEN827MAA0F00

Recommended Land Pattern



Test Circuit



- This PDF Datasheet is downloaded from the website of Murata Manufacturing Co., Ltd. Therefore, it's specifications are subject to change or our products in it may be discontinued without advance notice. Please check with our sales representatives or product engineers before ordering.
- This PDF Datasheet has only typical specifications because there is no space for detailed specifications. Therefore, please approve our product specifications or transact the approval sheet for product specifications before ordering.