



Data Sheet of SAW Components



Note : Murata SAW Component is applicable for Cellular /Cordless phone (Terminal) relevant market only.

Please also read caution at the end of this document.

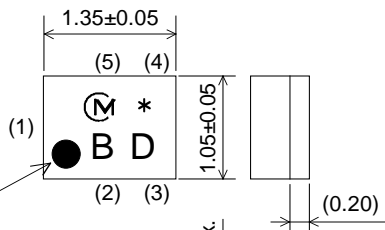
SAW FILTER FOR Band5 Rx

Murata part number :SAFEB881MAL0F00

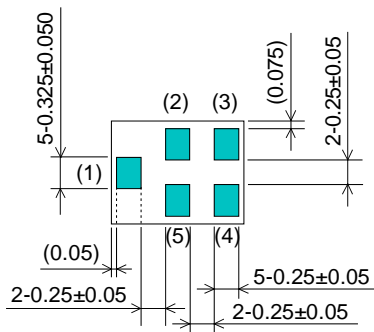
■ Package Dimensions

■ Specification

Top View



Bottom View



Marking
: Laser Printing

(1) : Input
(4) : Output
Others : Ground

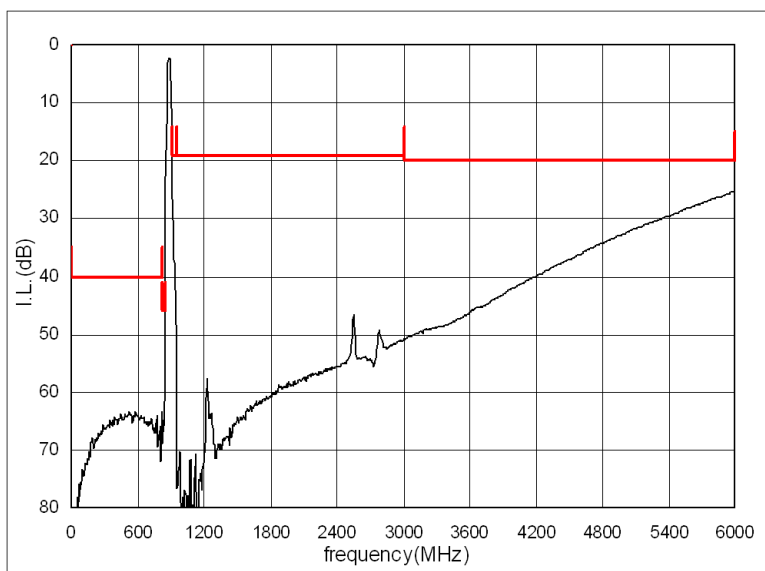
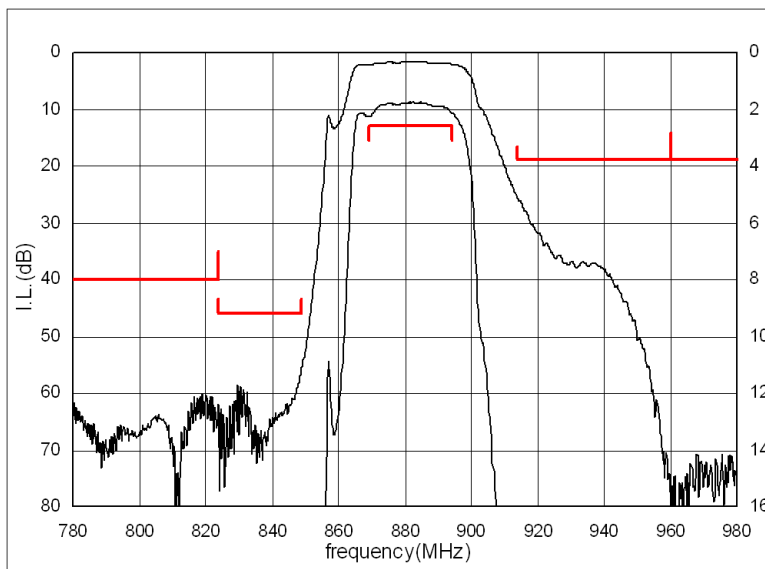
Unit : mm

Item	Specification			
	-30 to 85°C	-25 to 75°C	25±2°C	typ.
Nominal Center Frequency(fc)	881.5 MHz			
Insertion Loss (869 to 894MHz)	2.6 dB max	2.6 dB max	2.4 dB max	2.2 dB
Absolute Attenuation				
1) 0.1 to 824 MHz	40 dB min.	40 dB min.	40 dB min.	62 dB
2) 824 to 849 MHz	46 dB min.	46 dB min.	46 dB min.	56 dB
3) 914 to 960 MHz	19 dB min.	19 dB min.	22 dB min.	25 dB
4) 960 to 3000 MHz	19 dB min.	19 dB min.	19 dB min.	25 dB
5) 3000 to 6000 MHz	20 dB min.	20 dB min.	20 dB min.	26 dB
Ripple Deviation (869 to 894MHz)	1.2 dB max	1.2 dB max	1 dB max	0.6 dB
VSWR (869 to 894MHz)	2.0 max.	2.0 max.	1.9 max.	1.7
Input/Output Impedance (nominal)	50Ω			
Input Signal Level	20mW (+13dBm), 2000 hours			

SAW FILTER FOR Band5 Rx

Murata part number :SAFEB881MAL0F00

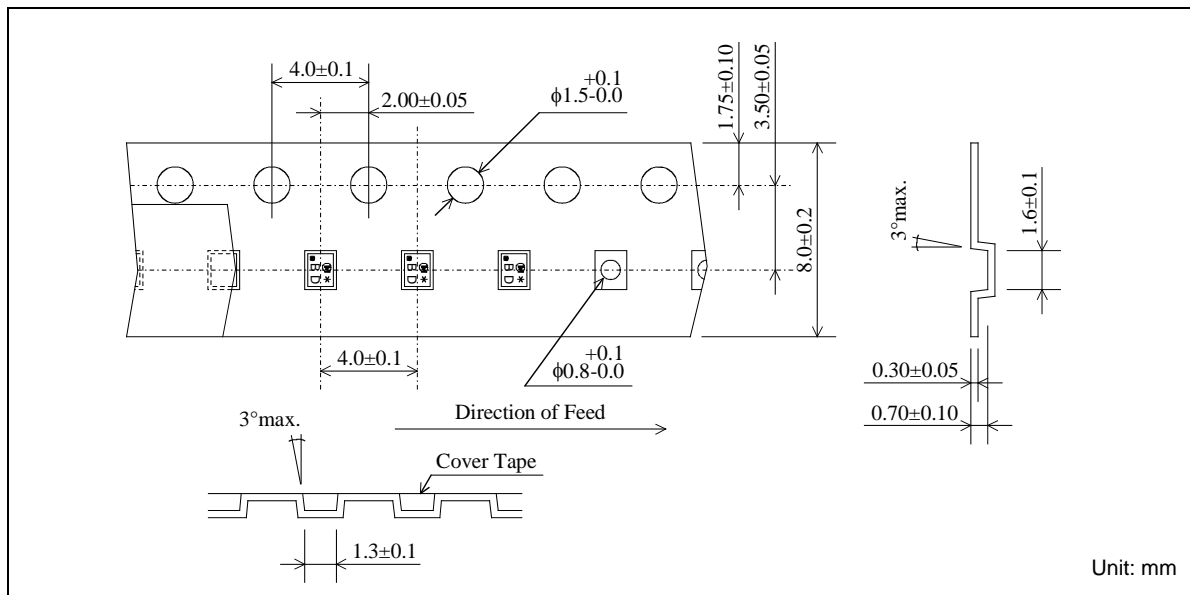
Frequency Performance



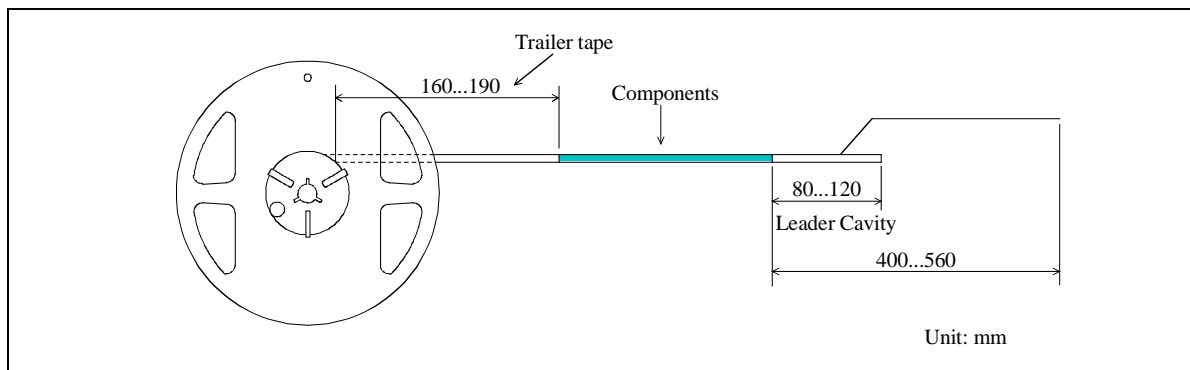
SAW FILTER FOR Band5 Rx

Murata part number :SAFEB881MAL0F00

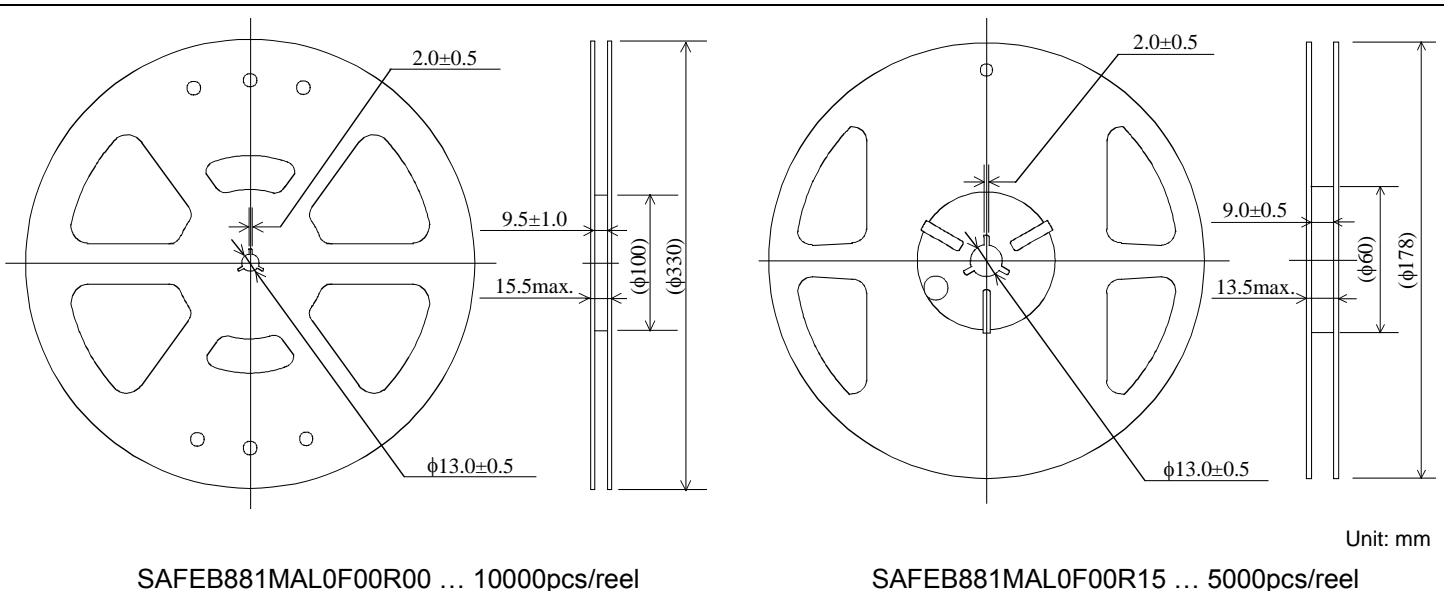
Dimensions of Carrier Tape



Dimensions of Tape



Dimensions of Reel



SAFEB881MAL0F00R00 ... 10000pcs/reel

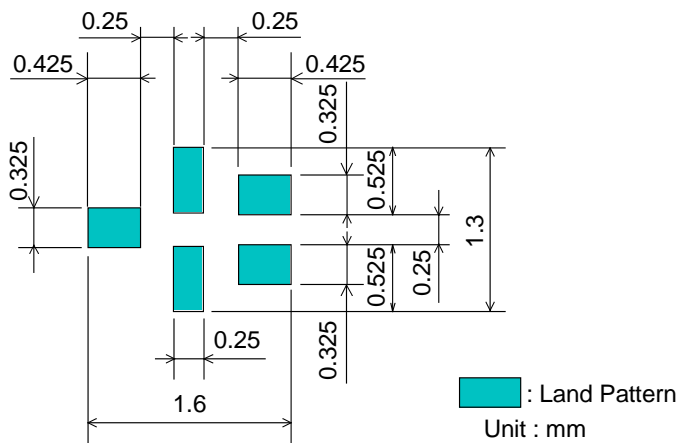
SAFEB881MAL0F00R15 ... 5000pcs/reel

SAW FILTER FOR Band5 Rx

Murata part number :SAFEB881MAL0F00

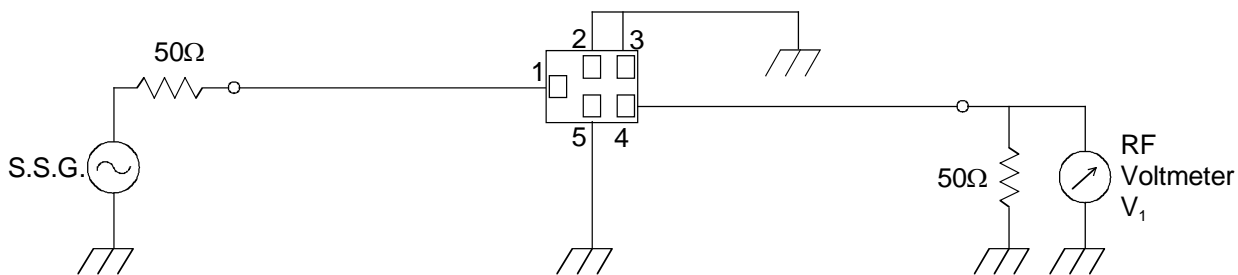
Recommended Land Pattern

Top View



Test Circuit

Bottom View



SAW FILTER FOR Band5 Rx

Murata part number :SAFEB881MAL0F00

■ RoHS Compliance

This component is compliant with RoHS directive.

This component was always RoHS compliant from the first date of manufacture.

• Caution - Limitation of Applications

This product is intended for the following applications only; however, please do not use this product in these applications where defects might directly cause damage to a third party's life, body or property.

- a. Mobile Telephone
- b. Cordless phone (except for Automotive use)
- c. PC (Including Notebook PC, Netbook PC, Tablet)
- d. Game
- e. Camera (except for Business/security use)
- f. Set Top Box
- g. Electronic dictionary
- h. Digital audio equipment

• This catalog is for reference only and not an official product specification document, therefore, please review and approve our official product specification before ordering this product.