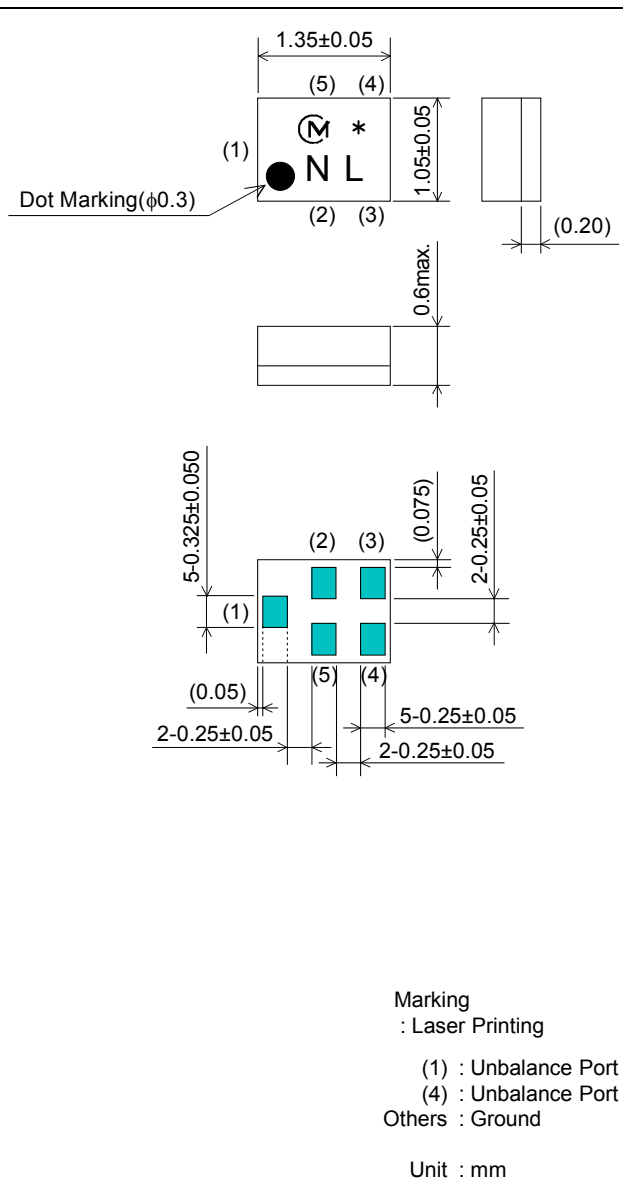


SAW FILTER FOR J-CDMA (Rx)

Murata part number : SAFEB856MAA0F00

Package Dimensions



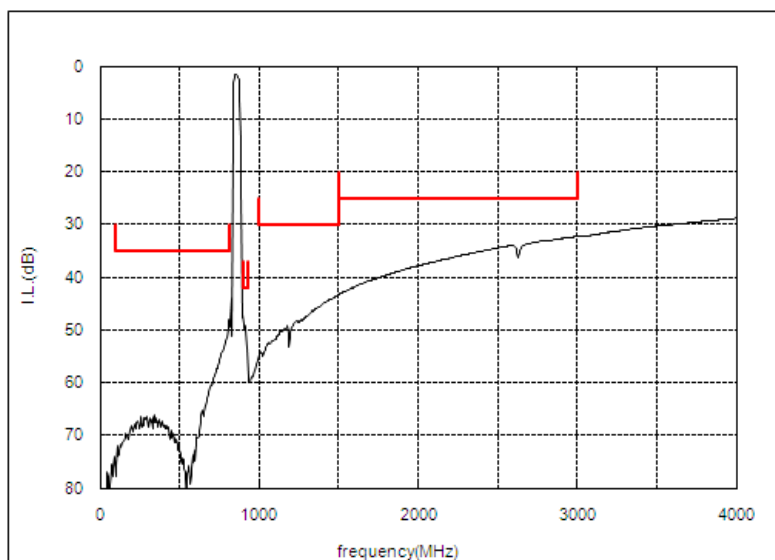
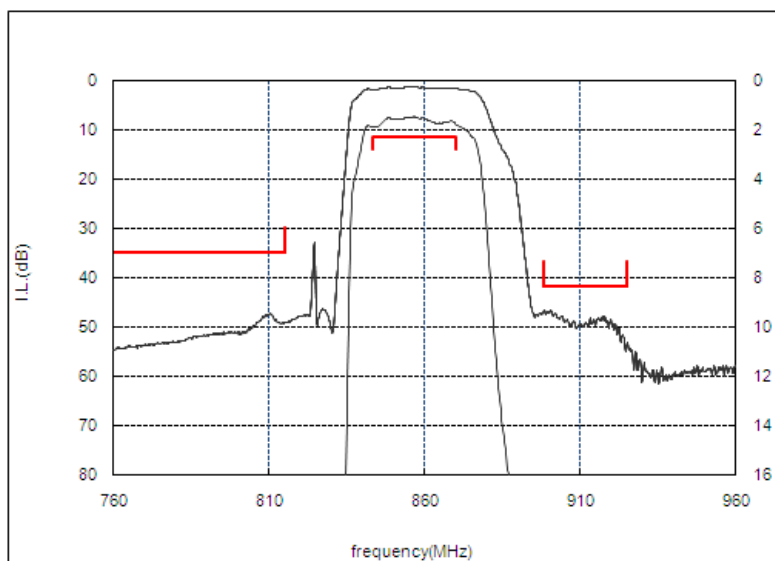
Specification

Item	Specification	
	-30 to +85°C	typ.
Nominal Center Frequency(fc)	856.5 MHz	
Insertion Loss (843 to 870MHz)	2.3 dB max.	2.0 dB
Absolute Attenuation		
1) 100 to 815 MHz	35 dB min.	50 dB
2) 898 to 925 MHz	42 dB min.	47 dB
3) 1000 to 1500 MHz	30 dB min.	46 dB
4) 1500 to 3000 MHz	25 dB min.	35 dB
Ripple Deviation (843 to 870MHz)	1.5 dB max.	0.5 dB
VSWR (843 to 870MHz)	2.0 max.	1.5
Unbalance Port Matching Impedance (nominal)	50Ω	
Input Signal Level	31.6mW (+15dBm), 2000 hours	

SAW FILTER FOR J-CDMA (Rx)

Murata part number : SAFEB856MAA0F00

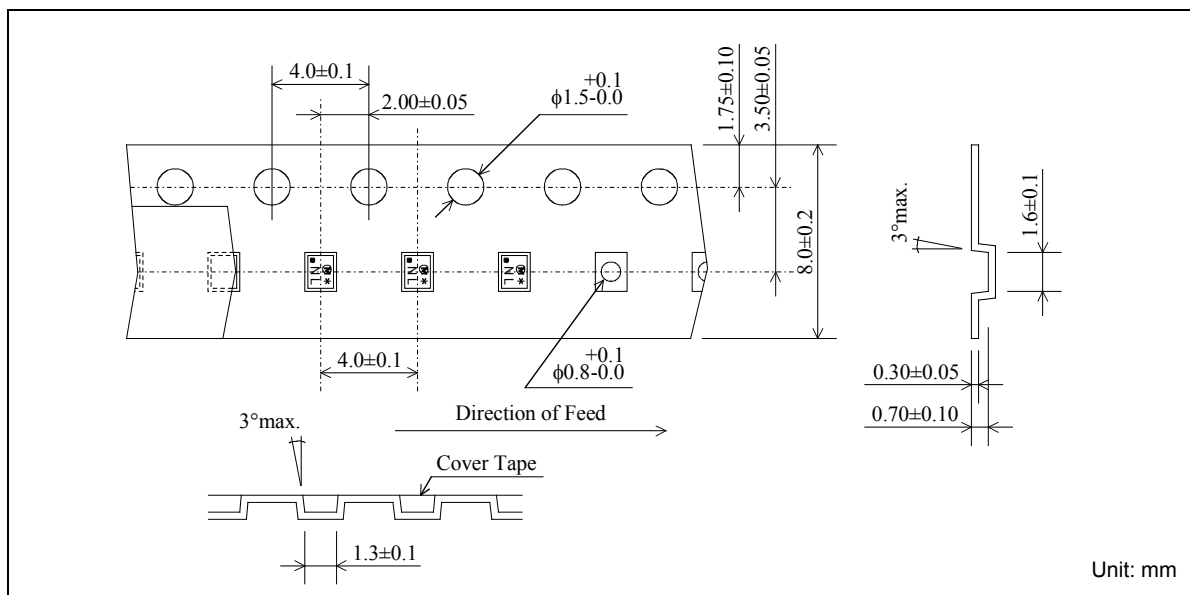
Frequency Performance



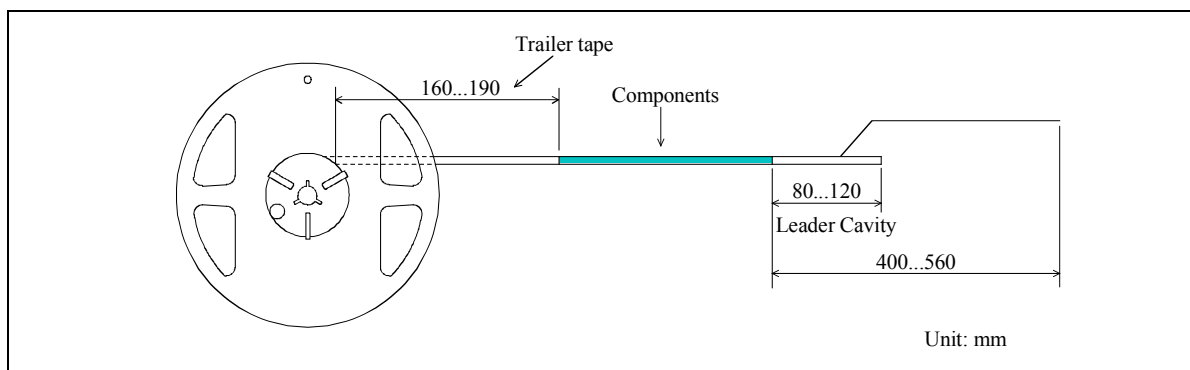
SAW FILTER FOR J-CDMA (Rx)

Murata part number : SAFEB856MAA0F00

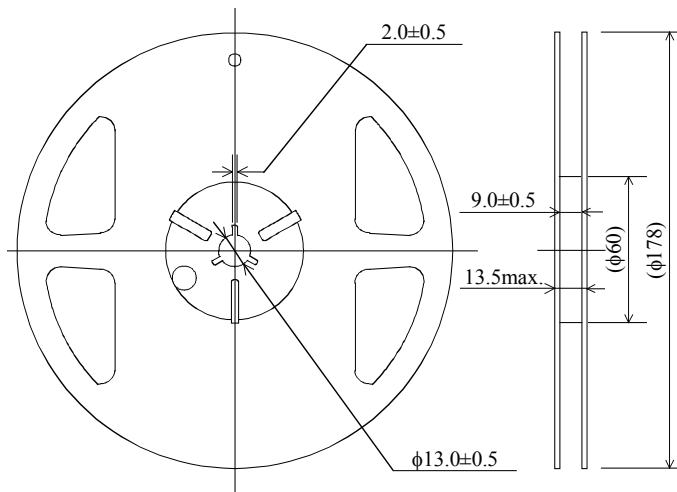
Dimensions of Carrier Tape



Dimensions of Tape



Dimensions of Reel

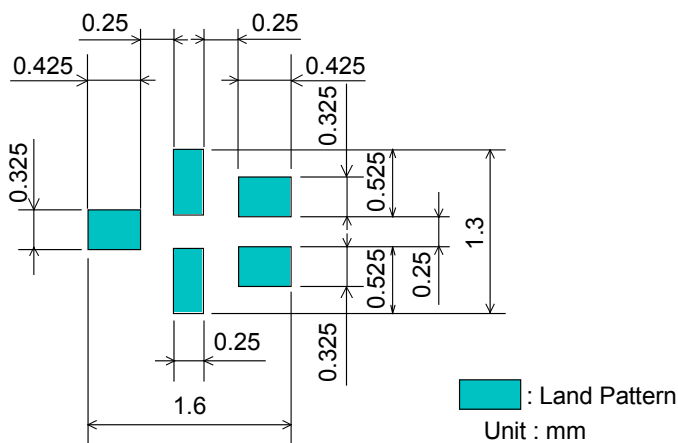


SAFEB856MAA0F00R14 ... 4000pcs/reel

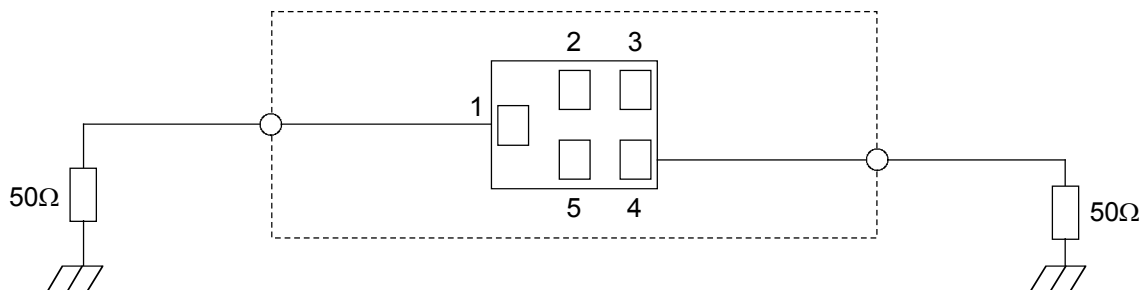
SAW FILTER FOR J-CDMA (Rx)

Murata part number : SAFEB856MAA0F00

Recommended Land Pattern



Test Circuit



- This PDF Datasheet is downloaded from the website of Murata Manufacturing Co., Ltd. Therefore, it's specifications are subject to change or our products in it may be discontinued without advance notice. Please check with our sales representatives or product engineers before ordering.
- This PDF Datasheet has only typical specifications because there is no space for detailed specifications. Therefore, please approve our product specifications or transact the approval sheet for product specifications before ordering.