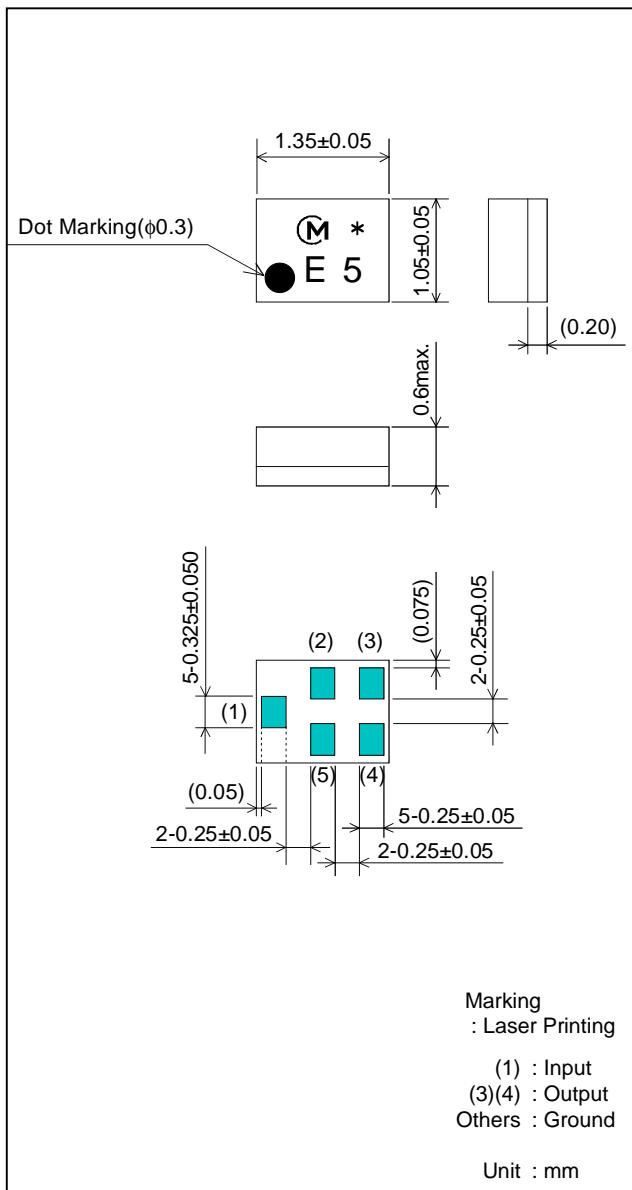


SAW FILTER FOR CDMA800/TDMA800/E-AMPS/GSM850/UMTS BC5 Tx

Murata part number : SAFEB836MFM0F00

■ Package Dimensions



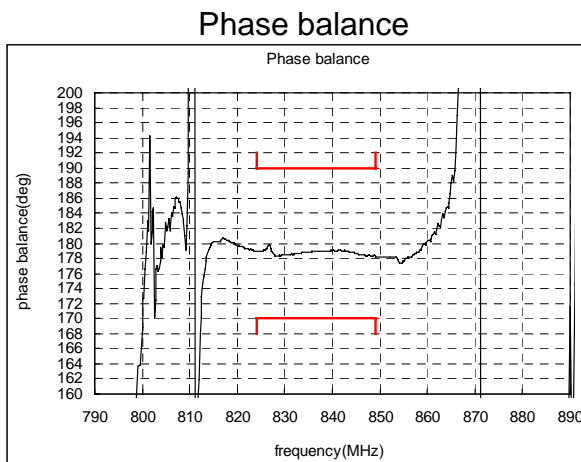
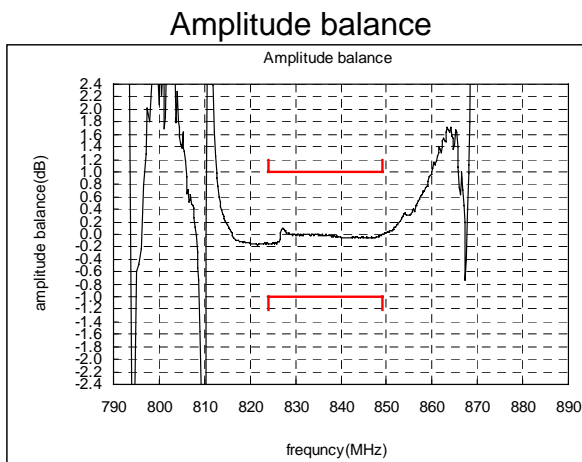
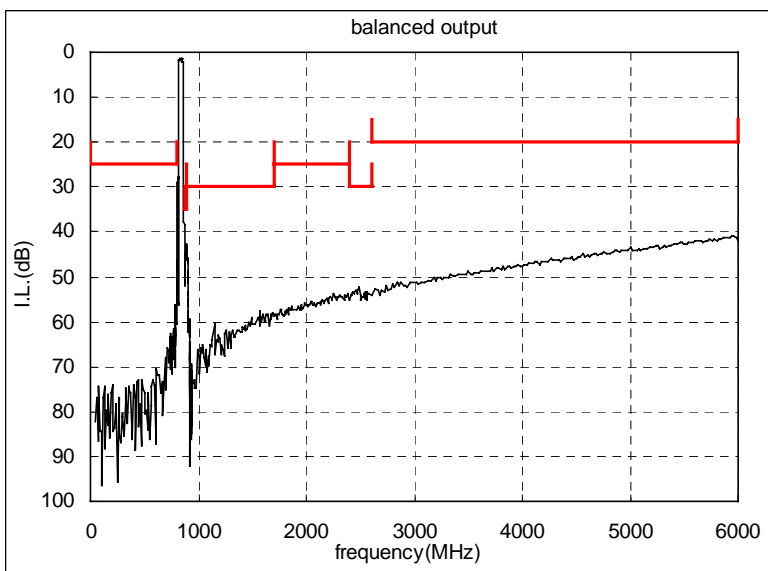
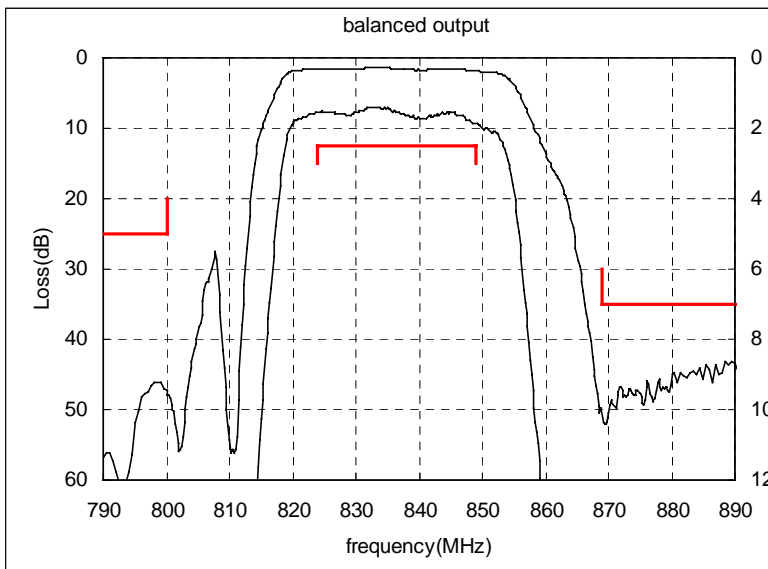
■ Specification

Item	Specification	
	-30 to +85°C	typ.
Nominal Center Frequency(f_c)	836.5 MHz	
Insertion Loss (824 to 849 MHz)	2.5 dB max.	1.9 dB
Absolute Attenuation		
1) 0.1 to 800 MHz	25 dB min.	45 dB
2) 869 to 894 MHz	35 dB min.	42 dB
3) 894 to 1700 MHz	30 dB min.	43 dB
4) 1700 to 2400 MHz	25 dB min.	48 dB
5) 2400 to 2600 MHz	30 dB min.	47 dB
5) 2600 to 6000 MHz	20 dB min.	40 dB
Ripple Deviation (824 to 849 MHz)	1.5 dB max.	0.6 dB
Return Loss (824 to 849 MHz)	2.0 max.	1.6
Amplitude Balance (824 to 849 MHz)	± 1.0 dB max.	+0.2 dB
Phase Balance (824 to 849 MHz)	180 \pm 10 deg.	180+3 deg.
Input/Output Impedance (nominal)	50 Ω	
Output Impedance (nominal)	100 Ω	
Input Signal Level	31.6mW (+15dBm), 2000 hours	

SAW FILTER FOR CDMA800/TDMA800/E-AMPS/GSM850/UMTS BC5 Tx

Murata part number : SAFEB836MFM0F00

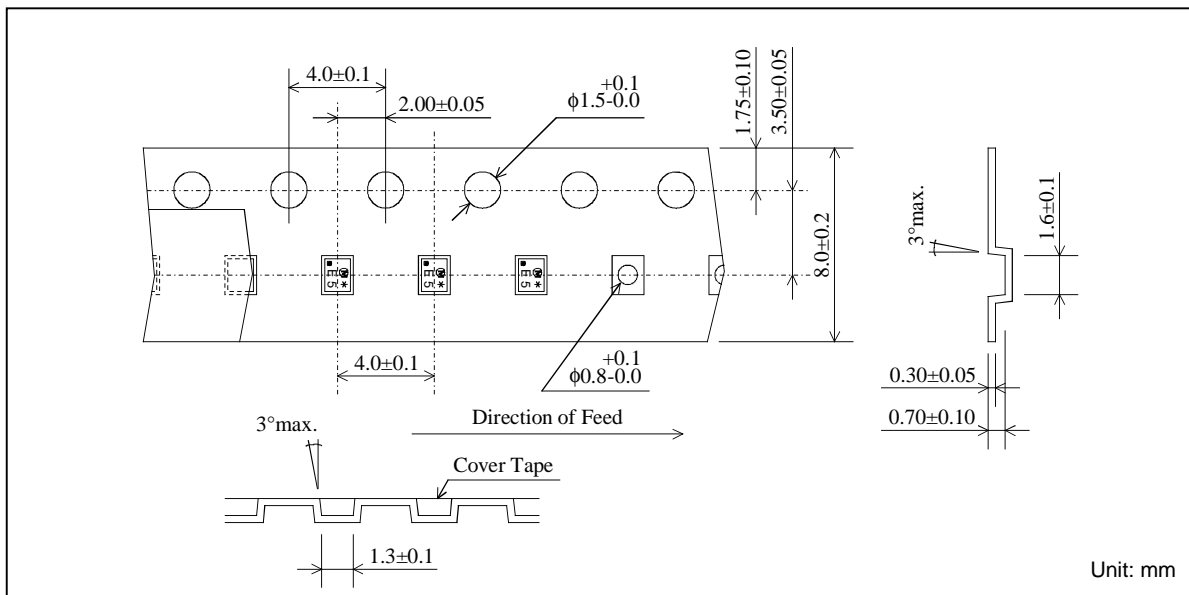
Frequency Performance



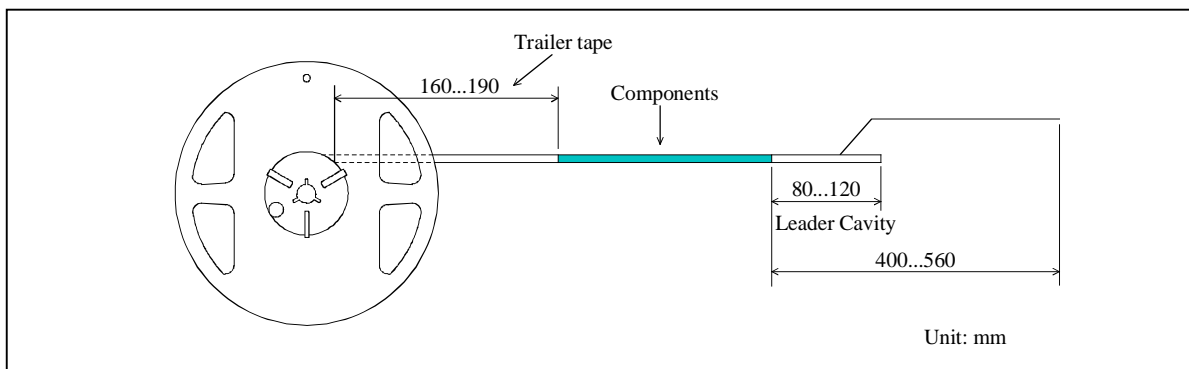
SAW FILTER FOR CDMA800/TDMA800/E-AMPS/GSM850/UMTS BC5 Tx

Murata part number : SAFEB836MFM0F00

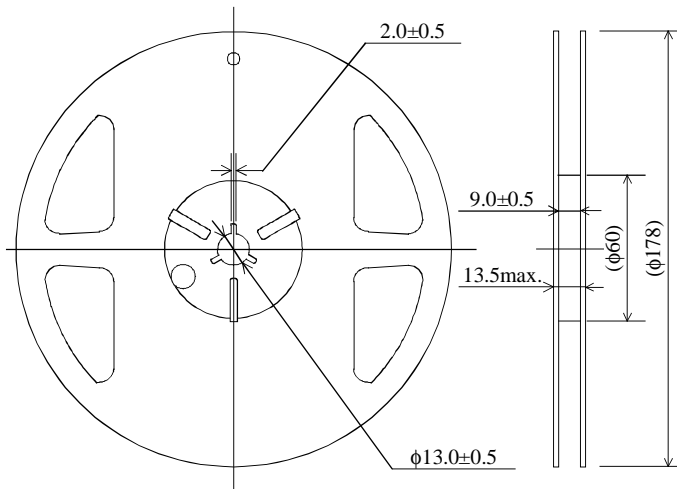
■ Dimensions of Carrier Tape



■ Dimensions of Tape



■ Dimensions of Reel

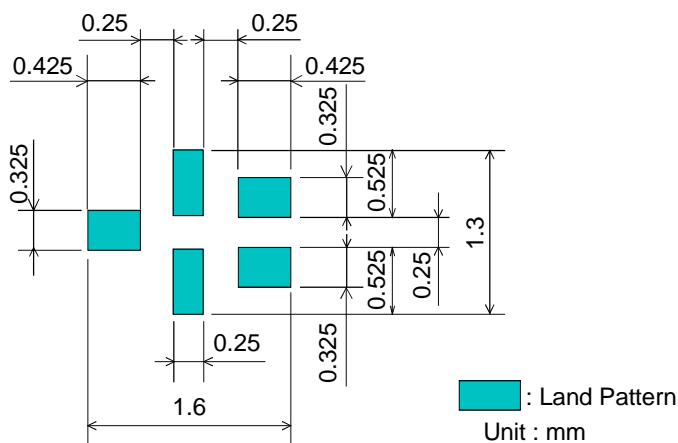


SAFEB836MFM0F00R14 ... 4000pcs/reel
 SAFEB836MFM0F00R12 ... 2000pcs/reel

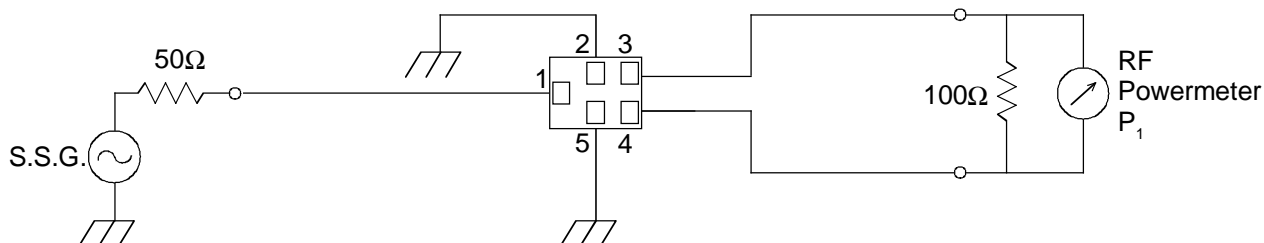
SAW FILTER FOR CDMA800/TDMA800/E-AMPS/GSM850/UMTS BC5 Tx

Murata part number : SAFEB836MFM0F00

Recommended Land Pattern



Test Circuit



- This PDF Datasheet is downloaded from the website of Murata Manufacturing Co., Ltd. Therefore, it's specifications are subject to change or our products in it may be discontinued without advance notice. Please check with our sales representatives or product engineers before ordering.
- This PDF Datasheet has only typical specifications because there is no space for detailed specifications. Therefore, please approve our product specifications or transact the approval sheet for product specifications before ordering.