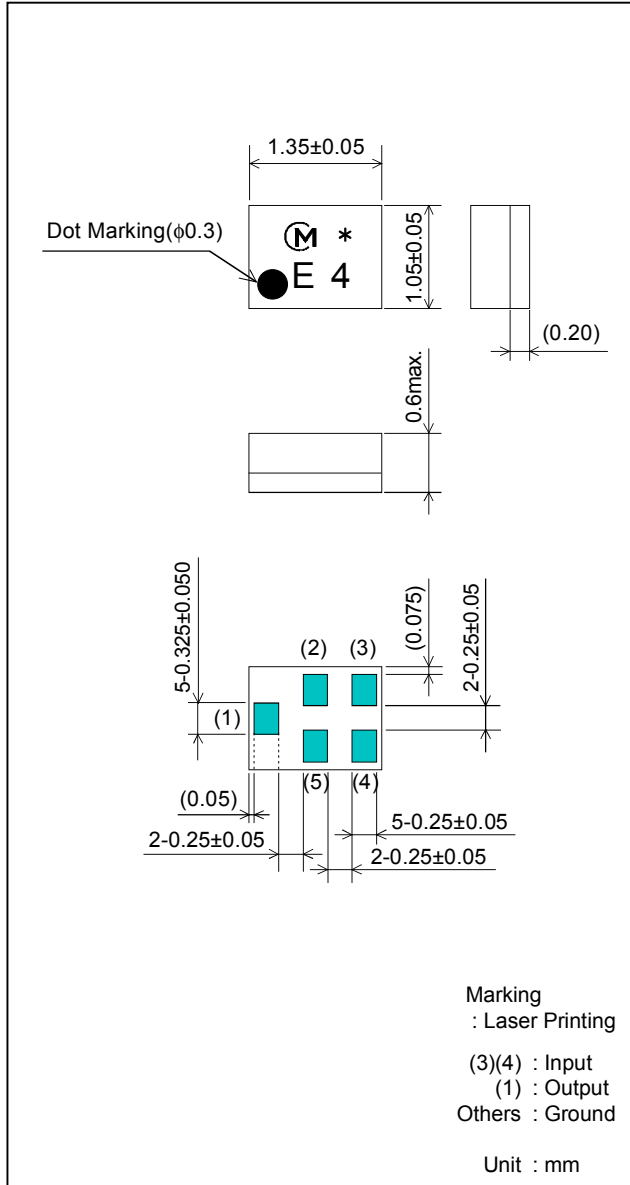


# SAW FILTER FOR CDMA800/TDMA800/E-AMPS/GSM850/UMTS BC5 Tx

Murata part number : SAFEB836MFL0F00

## ■ Package Dimensions



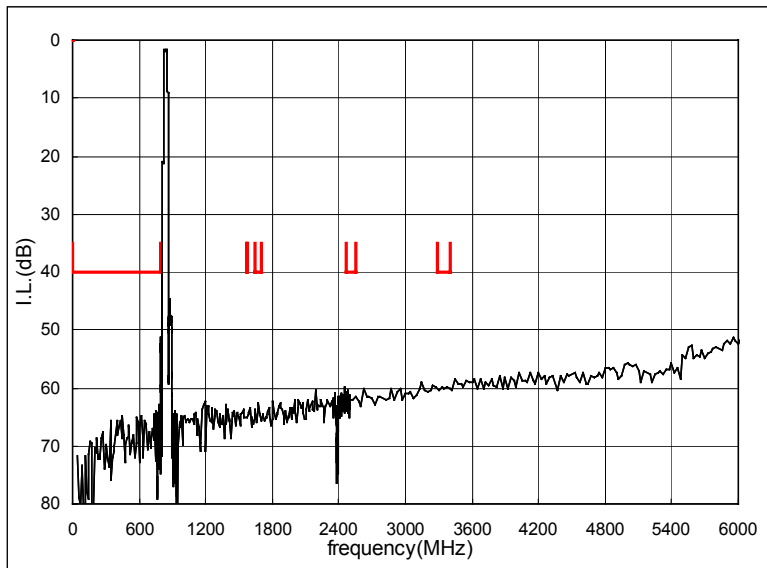
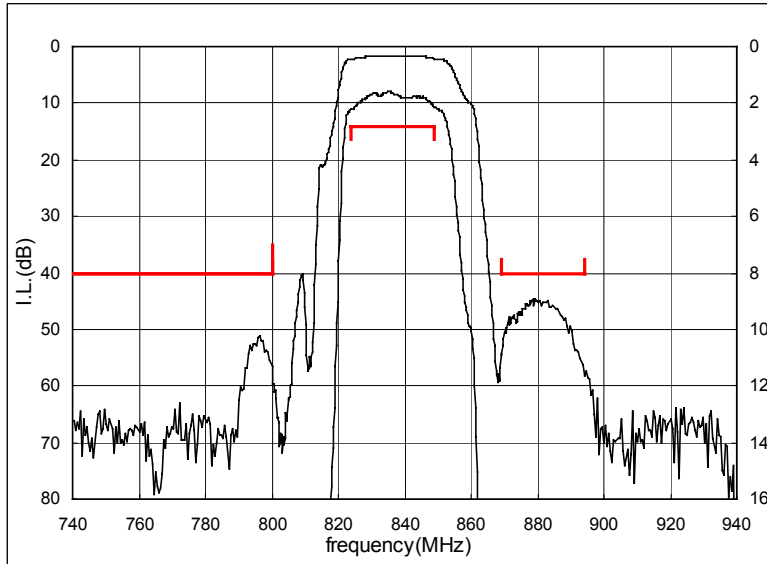
## ■ Specification

Item	Specification		
	-30 to 85°C	25 $\pm$ 2°C	typ.
Nominal Center Frequency(fc)	836.5MHz		
Insertion Loss (824 to 849MHz)	2.8 dB max.	2.5 dB max.	2.3 dB
Absolute Attenuation			
1) 0.1 to 800 MHz	40 dB min.	40 dB min.	51 dB
2) 869 to 894 MHz	40 dB min.	40 dB min.	43 dB
3) 1574.42 to 1576.42 MHz	40 dB min.	40 dB min.	63 dB
4) 1638 to 1708 MHz	40 dB min.	40 dB min.	61 dB
5) 2462 to 2557 MHz	40 dB min.	40 dB min.	59 dB
6) 3286 to 3406 MHz	40 dB min.	40 dB min.	57 dB
Ripple Deviation (824 to 849MHz)	1.5dB max.	1.5dB max.	0.8 dB
VSWR (824 to 849MHz)	2.0 max.	2.0 max.	1.8
Amplitude Balance (824 to 849MHz)	$\pm$ 1.0dB max.	$\pm$ 0.8dB max.	+0.2dB
Phase Balance (824 to 849MHz)	180 $\pm$ 10deg. max.	180 $\pm$ 8deg. max.	180+1.4deg.
Input Impedance (nominal)	20 $\Omega$		
Output Impedance (nominal)	50 $\Omega$		
Input Signal Level	31.6mW (+15dBm), 2000 hours		

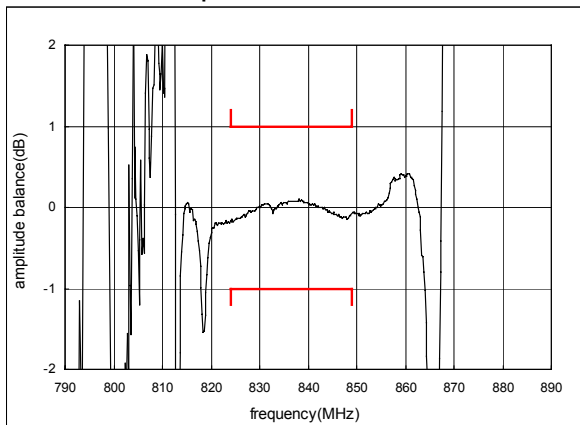
# SAW FILTER FOR CDMA800/TDMA800/E-AMPS/GSM850/UMTS BC5 Tx

Murata part number : SAFEB836MFL0F00

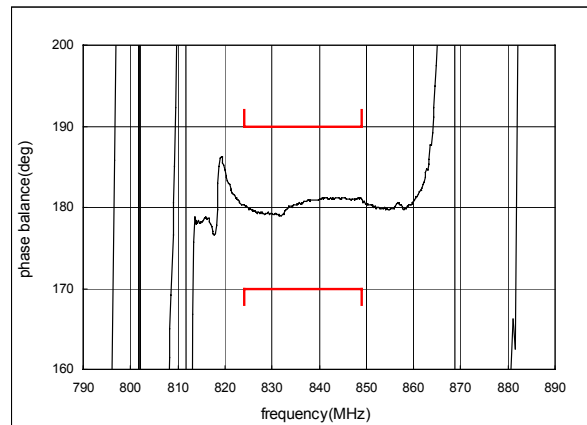
■ Frequency Performance



Amplitude balance



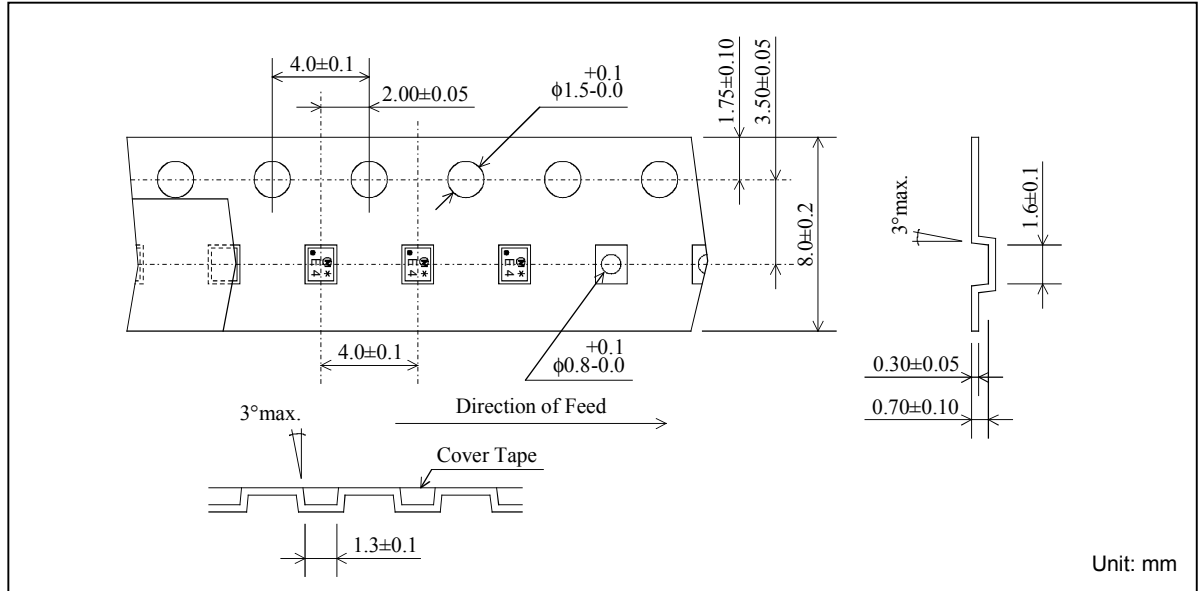
Phase balance



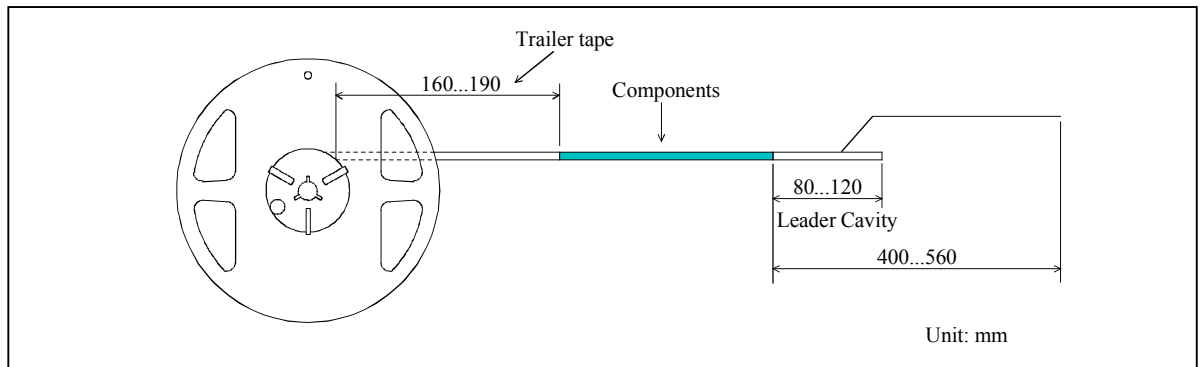
# SAW FILTER FOR CDMA800/TDMA800/E-AMPS/GSM850/UMTS BC5 Tx

Murata part number : SAFEB836MFL0F00

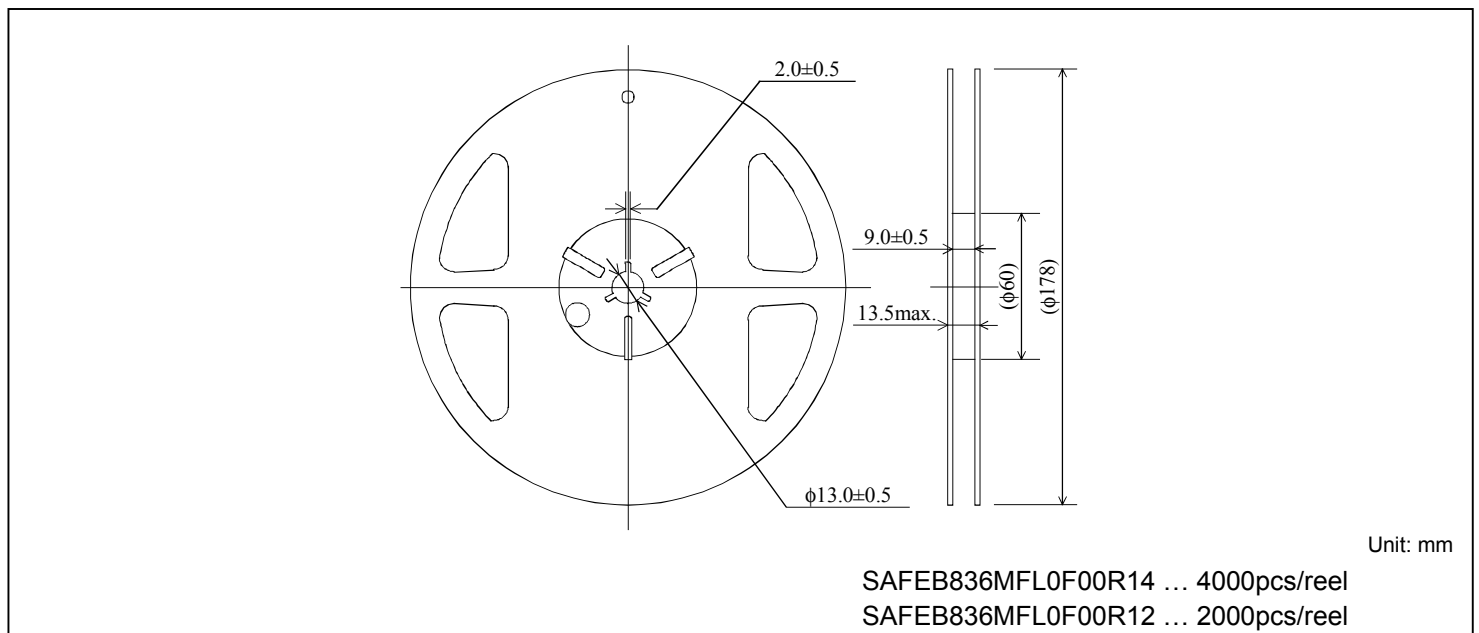
■ Dimensions of Carrier Tape



■ Dimensions of Tape



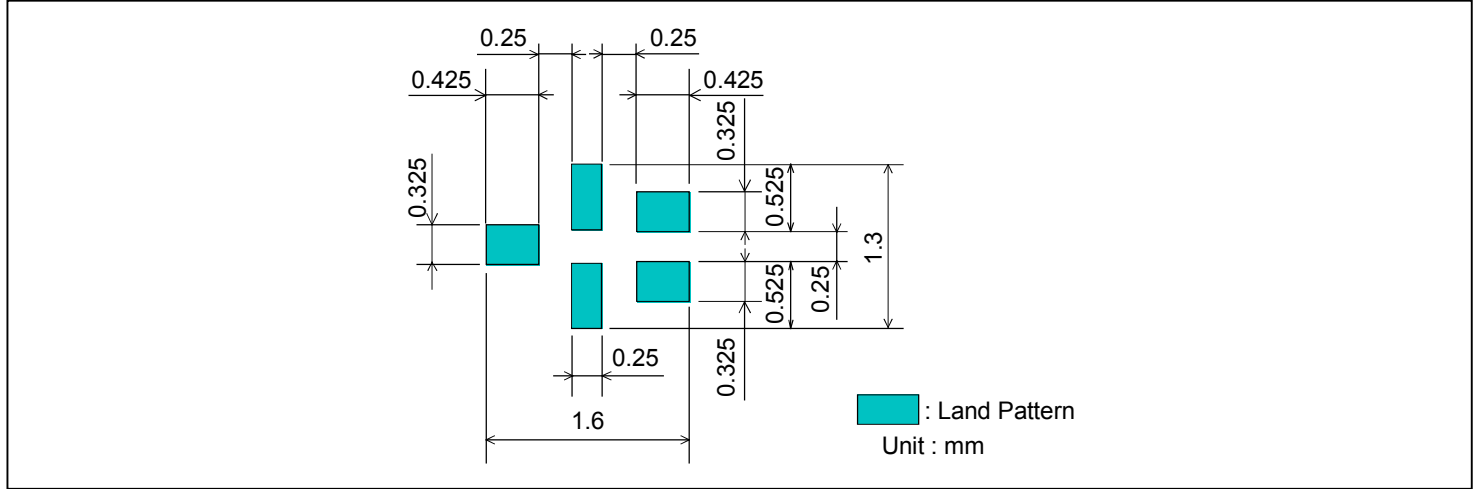
■ Dimensions of Reel



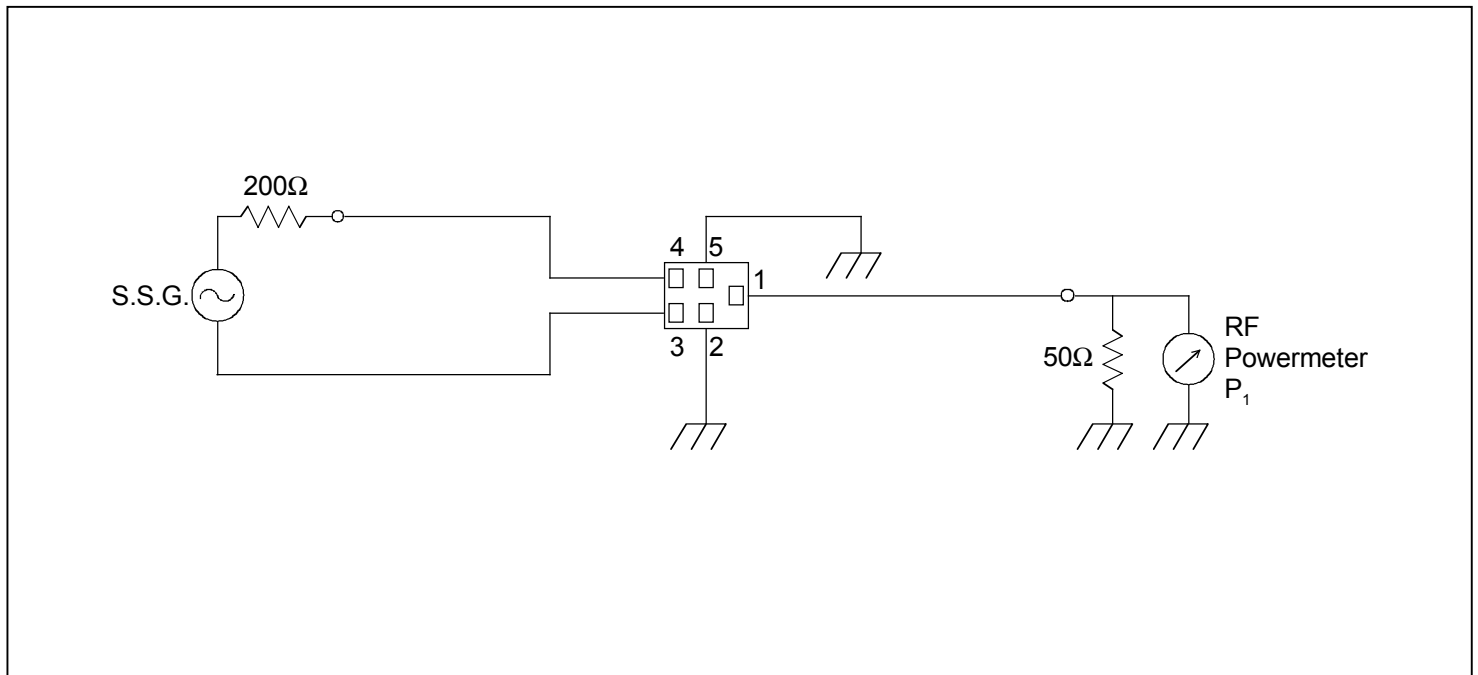
# SAW FILTER FOR CDMA800/TDMA800/E-AMPS/GSM850/UMTS BC5 Tx

Murata part number : SAFEB836MFL0F00

## ■ Recommended Land Pattern



## ■ Test Circuit



- This PDF Datasheet is downloaded from the website of Murata Manufacturing Co., Ltd. Therefore, it's specifications are subject to change or our products in it may be discontinued without advance notice. Please check with our sales representatives or product engineers before ordering.
- This PDF Datasheet has only typical specifications because there is no space for detailed specifications. Therefore, please approve our product specifications or transact the approval sheet for product specifications before ordering.