



Data Sheet of SAW Components



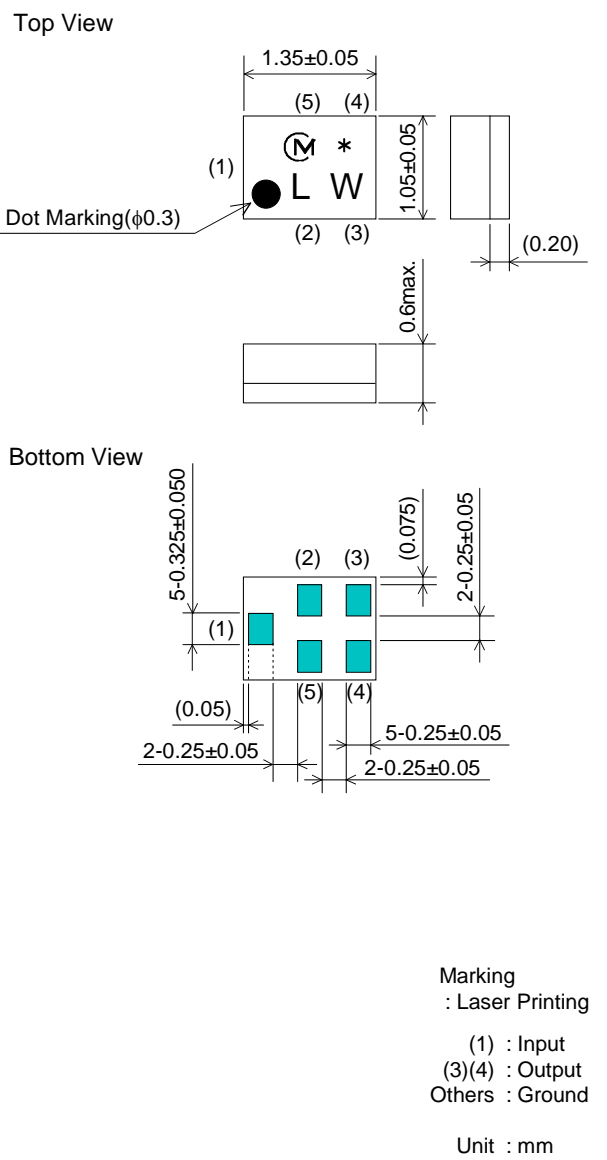
Note : Murata SAW Component is applicable for Cellular /Cordless phone (Terminal) relevant market only.

Please also read caution at the end of this document.

SAW FILTER FOR US-PCS/UMTS BC2 Rx

Murata part number : SAFEB1G96FN0F00

Package Dimensions



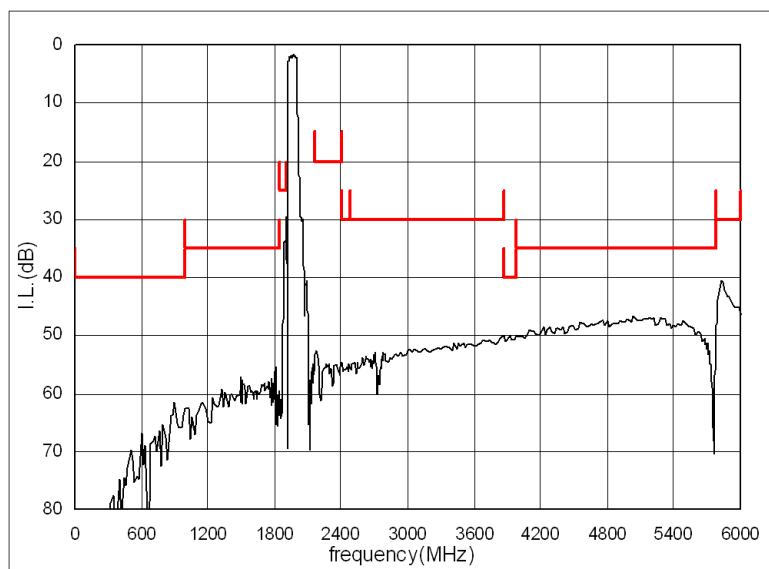
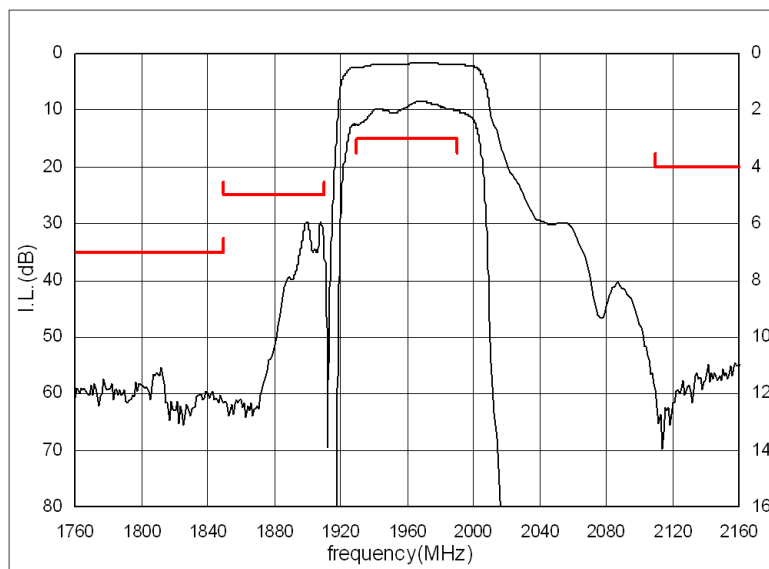
Specification

Item	Specification		
	-30 to 85°C	25±2°C	typ.
Nominal Center Frequency(fc)	1960MHz		
Insertion Loss (1930 to 1990MHz)	3.0 dB max.	2.8 dB max.	2.4 dB
Absolute Attenuation			
1) 0.1 to 1000 MHz	40 dB min.	40 dB min.	62 dB
2) 1000 to 1850 MHz	35 dB min.	35 dB min.	52 dB
3) 1850 to 1910 MHz	25 dB min.	25 dB min.	29 dB
4) 2110 to 2170 MHz	20 dB min.	20 dB min.	52 dB
5) 2170 to 2402 MHz	20 dB min.	20 dB min.	51 dB
6) 2402 to 2480 MHz	30 dB min.	30 dB min.	51 dB
7) 2480 to 3860 MHz	30 dB min.	30 dB min.	47 dB
8) 3860 to 3980 MHz	40 dB min.	40 dB min.	46 dB
9) 3980 to 5790 MHz	35 dB min.	35 dB min.	43 dB
10) 5790 to 6000 MHz	30 dB min.	30 dB min.	40 dB
11) 6000 to 12750 MHz	15 dB min.	15 dB min.	24 dB
Ripple Deviation (1930 to 1990MHz)	1.8dB max.	1.7dB max.	0.7 dB
Ripple Deviation any 5MHz (1930 to 1990MHz)	1.3dB max.	0.5dB max.	0.3 dB
VSWR (1930 to 1990MHz)	1.8 max.	1.7 max.	1.5
Amplitude Balance (1930 to 1990MHz)	±1.2dB max.	±1.0dB max.	+0.5dB
Phase Balance (1930 to 1990MHz)	180±10deg. max.	180±8deg. max.	180±2.8deg.
Input Impedance (nominal)	50Ω		
Output Impedance (nominal)	200Ω//33nH		
Input Signal Level	20mW (+13dBm), 2000 hours		

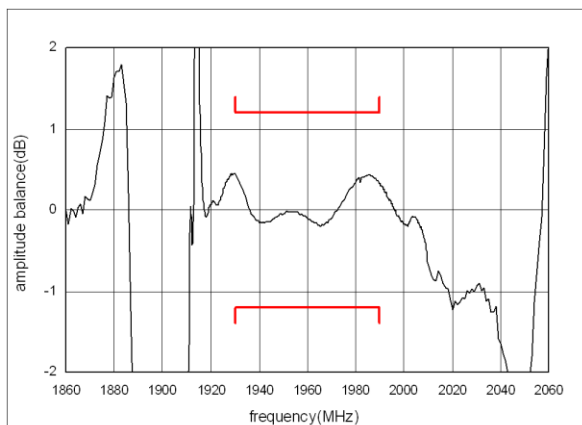
SAW FILTER FOR US-PCS/UMTS BC2 Rx

Murata part number : SAFEB1G96FN0F00

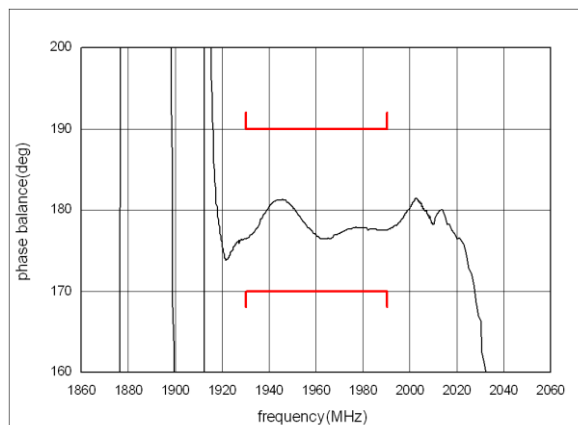
Frequency Performance



Amplitude balance



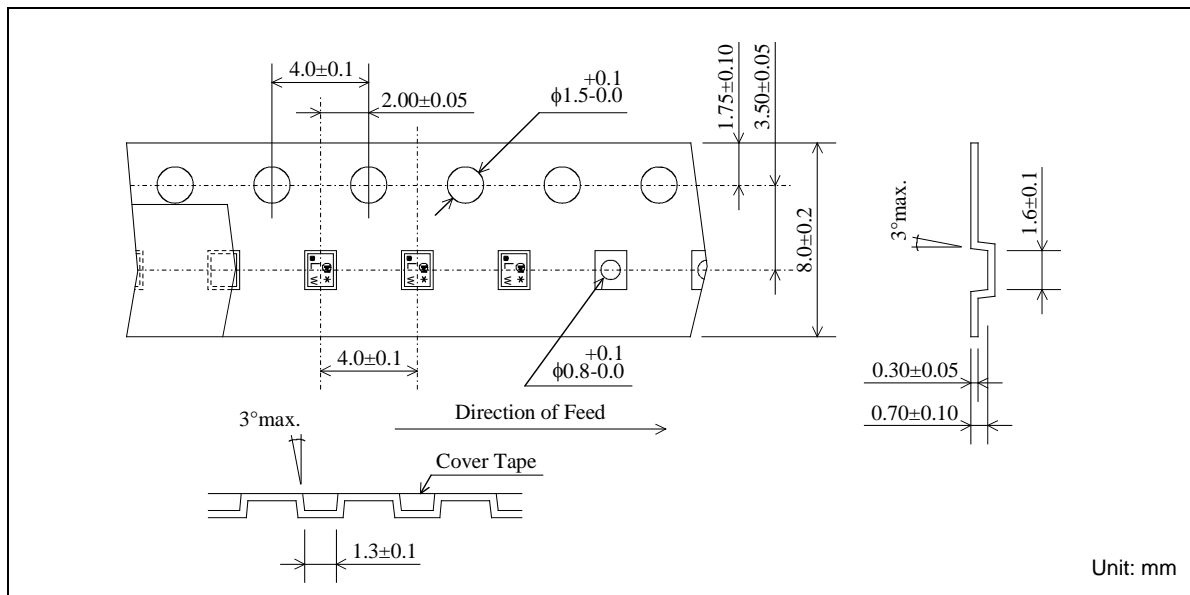
Phase balance



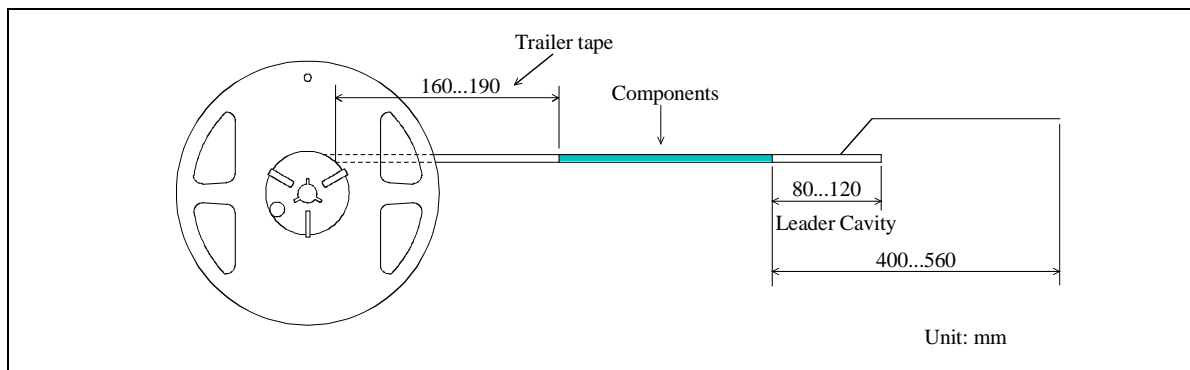
SAW FILTER FOR US-PCS/UMTS BC2 Rx

Murata part number : SAFEB1G96FN0F00

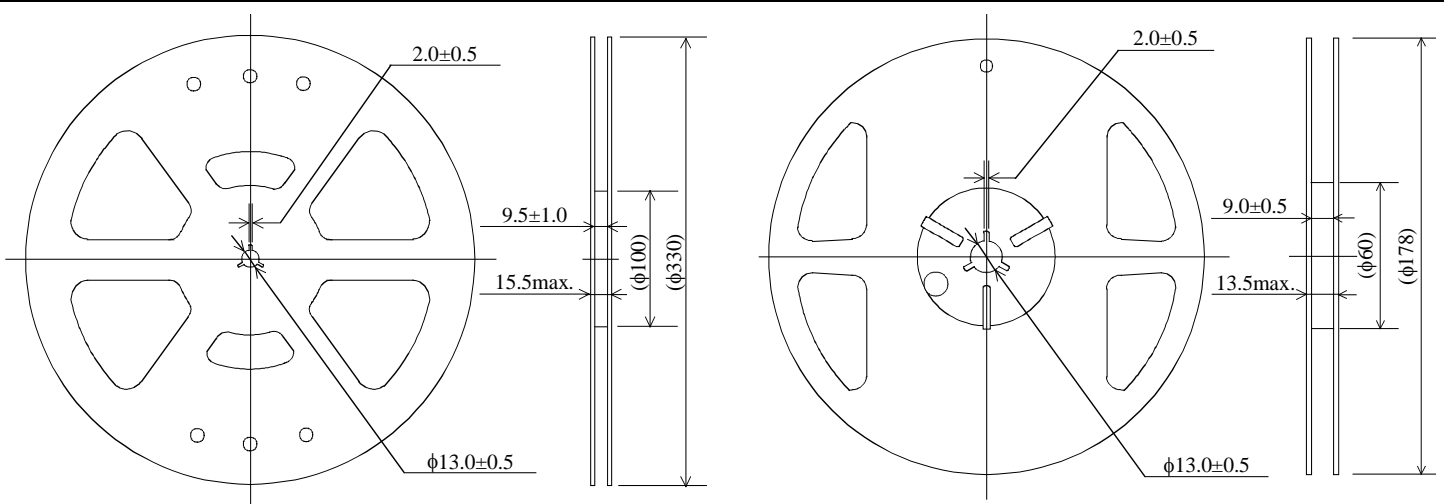
Dimensions of Carrier Tape



Dimensions of Tape



Dimensions of Reel



SAFEB1G96FN0F00R00 ... 10000pcs/reel

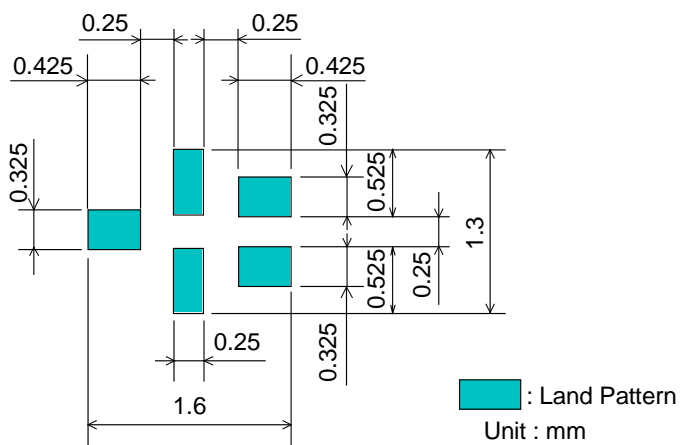
SAFEB1G96FN0F00R15 ... 5000pcs/reel

SAW FILTER FOR US-PCS/UMTS BC2 Rx

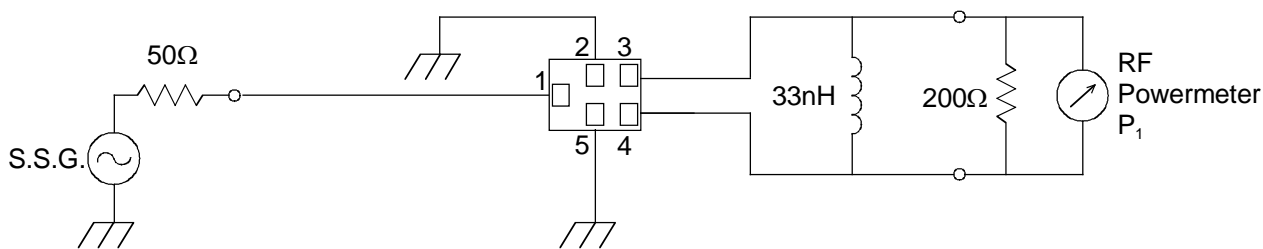
Murata part number : SAFEB1G96FN0F00

Recommended Land Pattern

Top View



Bottom View



SAW FILTER FOR US-PCS/UMTS BC2 Rx

Murata part number : SAFEB1G96FN0F00

■ RoHS Compliance

This component is compliant with RoHS directive.

This component was always RoHS compliant from the first date of manufacture.

• Caution - Limitation of Applications

This product is intended for the following applications only; however, please do not use this product in these applications where defects might directly cause damage to a third party's life, body or property.

- a. Mobile Telephone
- b. Cordless phone (except for Automotive use)
- c. PC (Including Notebook PC, Netbook PC, Tablet)
- d. Game
- e. Camera (except for Business/security use)
- f. Set Top Box
- g. Electronic dictionary
- h. Digital audio equipment

• This catalog is for reference only and not an official product specification document, therefore, please review and approve our official product specification before ordering this product.