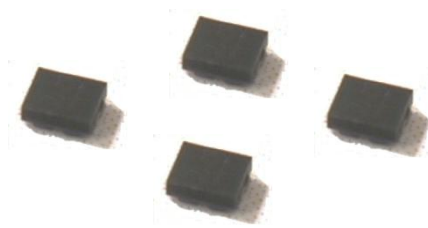




# Data Sheet of SAW Components



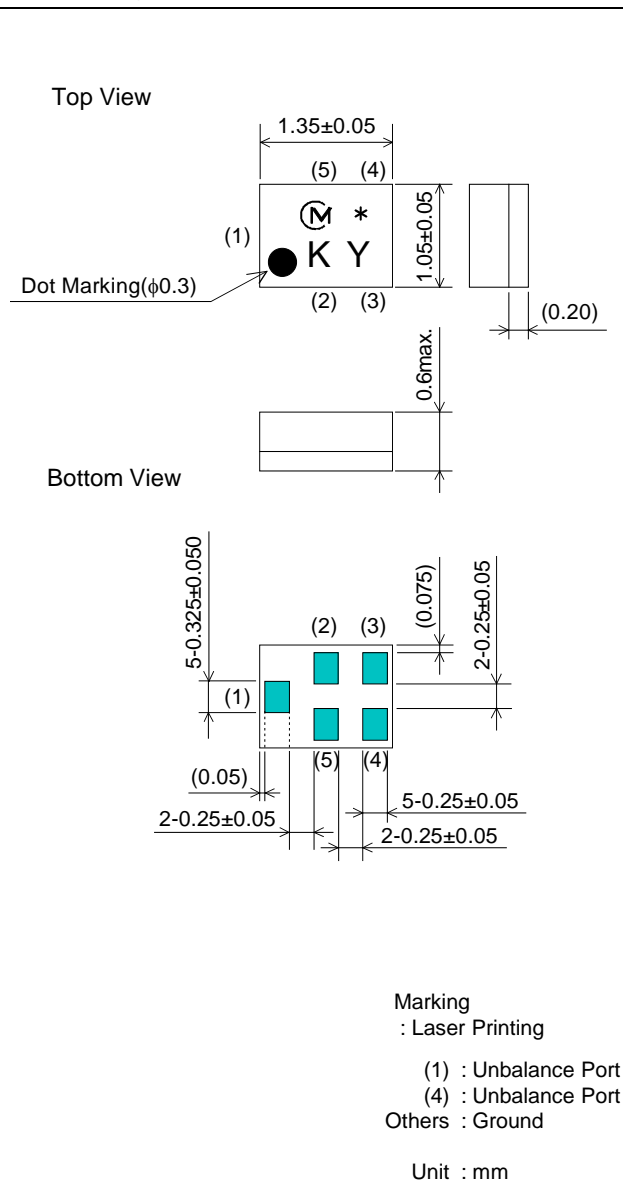
Note : Murata SAW Component is applicable for Cellular /Cordless phone (Terminal) relevant market only.  
Please also read caution at the end of this document.

# SAW FILTER FOR CDMA1900(BC1) Rx

Murata part number :SAFEB1G96AL0F00

## Package Dimensions

## Specification

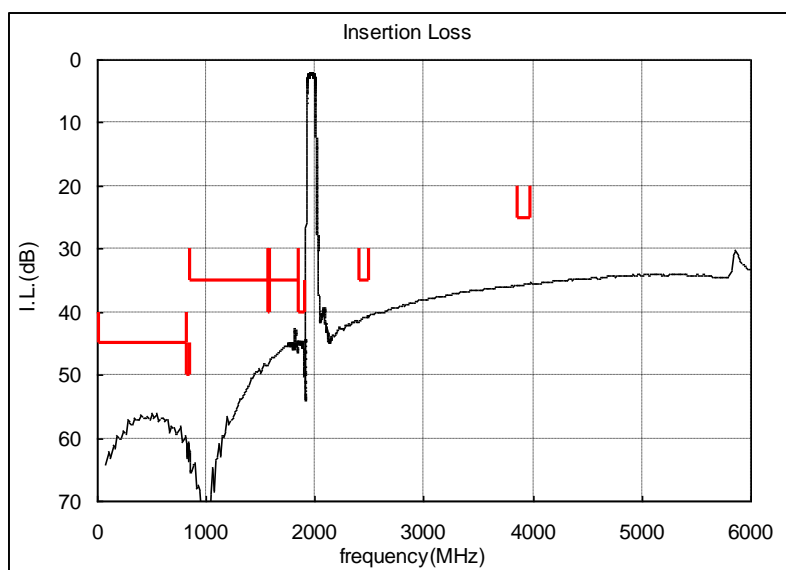
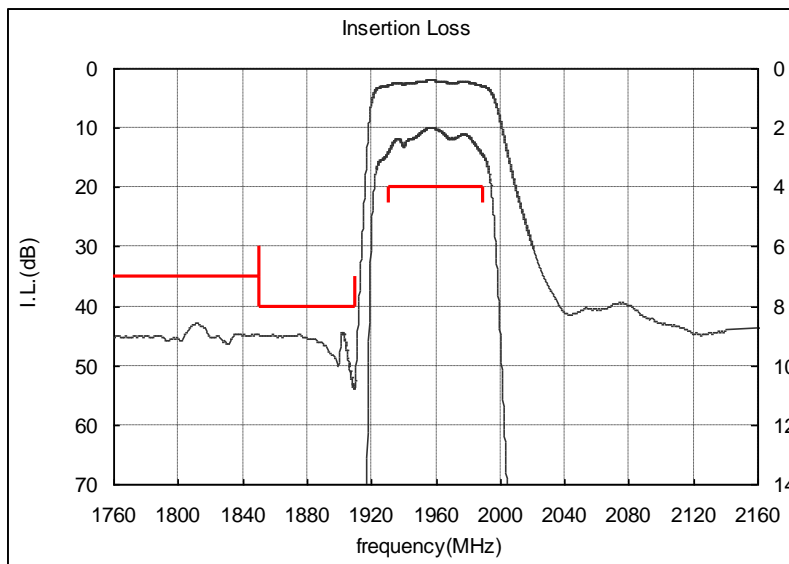


Item	Specification		
	-30 to 85°C	25±2°C	typ.
Nominal Center Frequency(fc)	1960MHz		
Insertion Loss (1930.48 to 1989.52MHz)	4 dB max.	3.5 dB max.	3 dB
Absolute Attenuation			
1) 10 to 824 MHz	45 dB min.	45 dB min.	55 dB
2) 824 to 849 MHz	50 dB min.	50 dB min.	60 dB
3) 849 to 1570 MHz	35 dB min.	35 dB min.	45 dB
4) 1570 to 1580 MHz	40 dB min.	40 dB min.	45 dB
5) 1580 to 1850 MHz	35 dB min.	35 dB min.	41 dB
6) 1850.48 to 1909.52 MHz	40 dB min.	40 dB min.	43 dB
7) 2400 to 2500 MHz	35 dB min.	35 dB min.	40 dB
8) 3860 to 3980 MHz	25 dB min.	25 dB min.	34 dB
Ripple Deviation (1930.48 to 1989.52MHz)	2.3 dB max.	2.3 dB max.	1 dB
VSWR (1930.48 to 1989.52MHz)	2.0 max.	2.0 max.	1.7
Unbalance Port Matching Impedance (nominal)	50Ω		
Input Signal Level	20mW (+13dBm), 2000 hours		

# SAW FILTER FOR CDMA1900(BC1) Rx

Murata part number :SAFEB1G96AL0F00

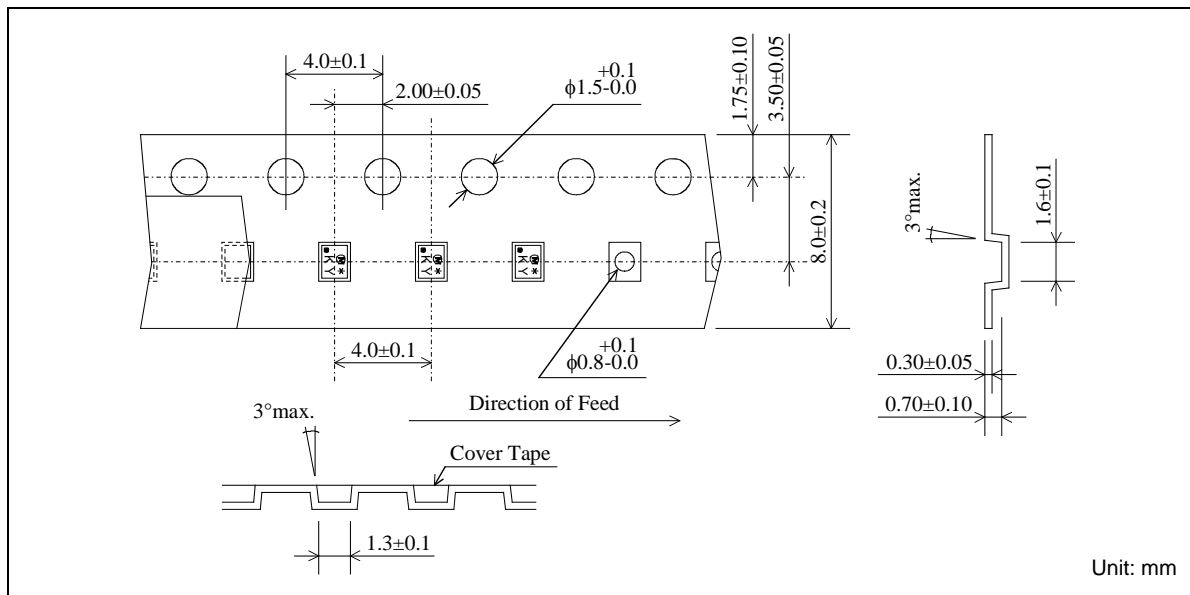
## Frequency Performance



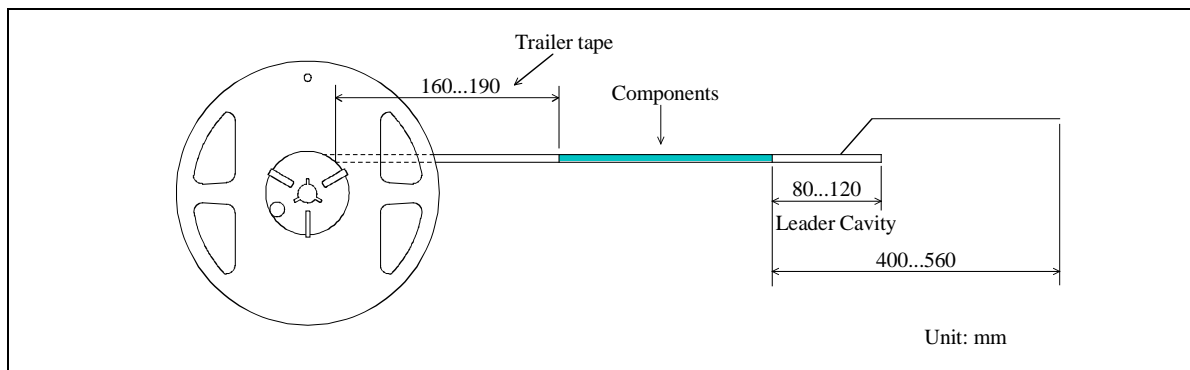
# SAW FILTER FOR CDMA1900(BC1) Rx

Murata part number : SAFEB1G96AL0F00

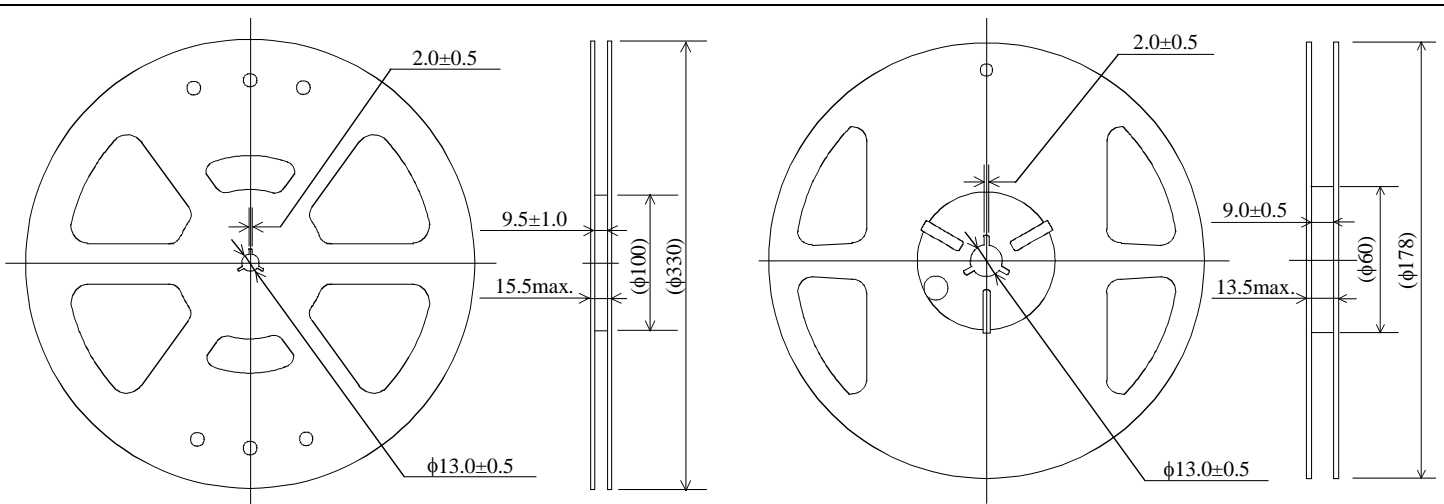
## Dimensions of Carrier Tape



## Dimensions of Tape



## Dimensions of Reel



SAFEB1G96AL0F00R00 ... 10000pcs/reel

SAFEB1G96AL0F00R15 ... 5000pcs/reel

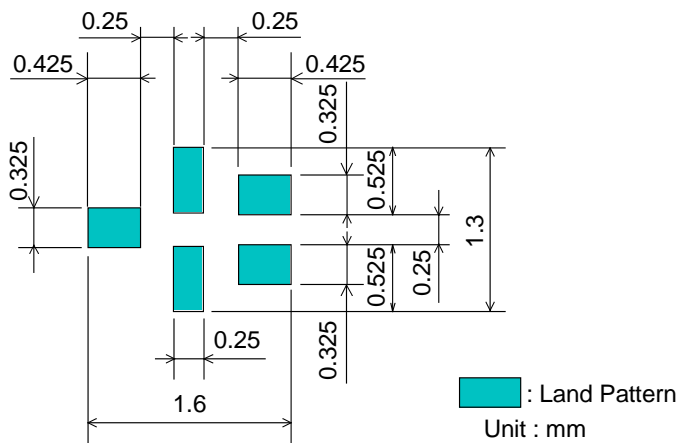
Unit: mm

# SAW FILTER FOR CDMA1900(BC1) Rx

Murata part number :SAFEB1G96AL0F00

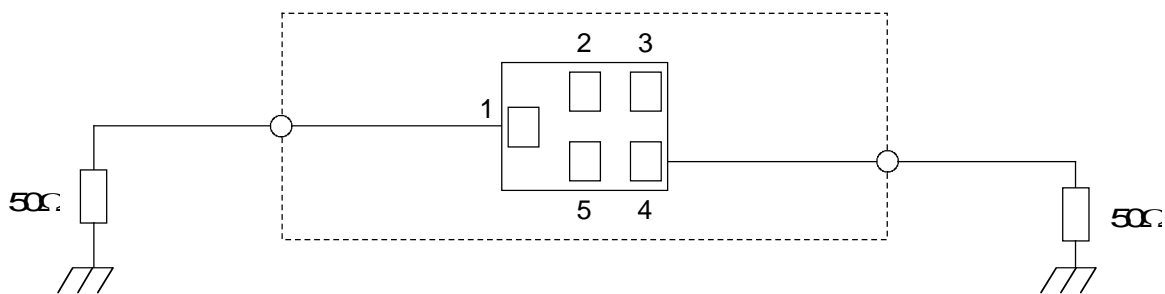
## Recommended Land Pattern

Top View



## Test Circuit

Bottom View



# SAW FILTER FOR CDMA1900(BC1) Rx

Murata part number :SAFEB1G96AL0F00

## ■ RoHS Compliance

This component is compliant with RoHS directive.

This component was always RoHS compliant from the first date of manufacture.

### • Caution - Limitation of Applications

This product is intended for the following applications only; however, please do not use this product in these applications where defects might directly cause damage to a third party's life, body or property.

- a. Mobile Telephone
- b. Cordless phone (except for Automotive use)
- c. PC (Including Notebook PC, Netbook PC, Tablet)
- d. Game
- e. Camera (except for Business/security use)
- f. Set Top Box
- g. Electronic dictionary
- h. Digital audio equipment

• This catalog is for reference only and not an official product specification document, therefore, please review and approve our official product specification before ordering this product.