



# Data Sheet of SAW Components



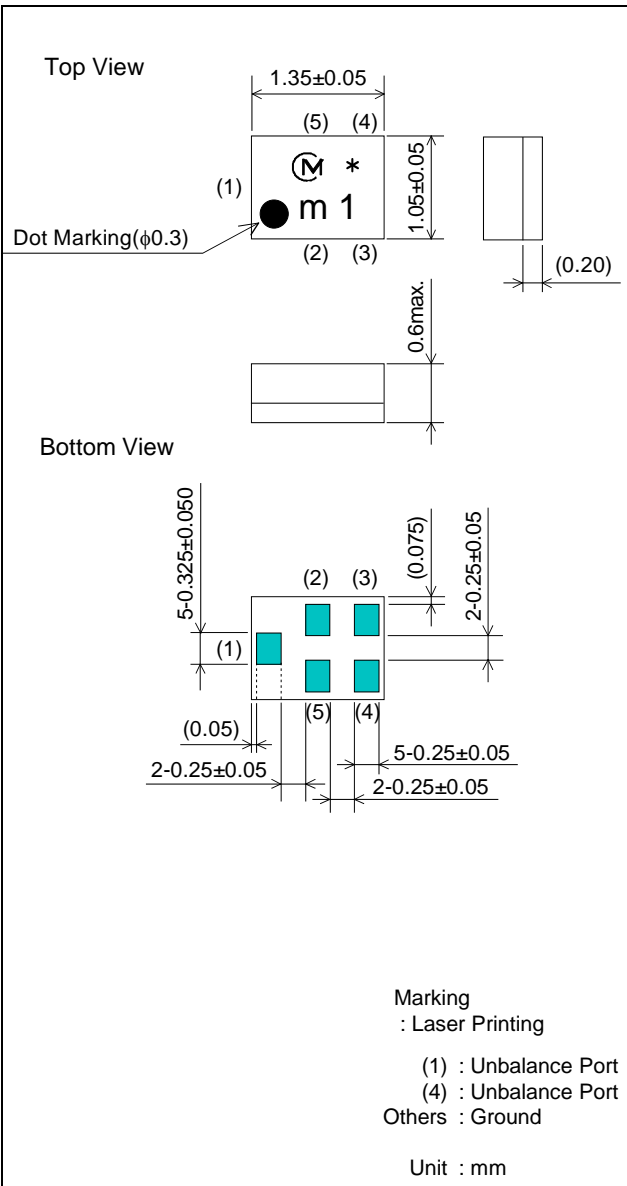
Note : Murata SAW Component is applicable for Cellular /Cordless phone (Terminal) relevant market only.

Please also read caution at the end of this document.

# SAW FILTER FOR CDMA2000 BC6 (Rx)

Murata part number : SAFEB1G93AL0F00

## Package Dimensions



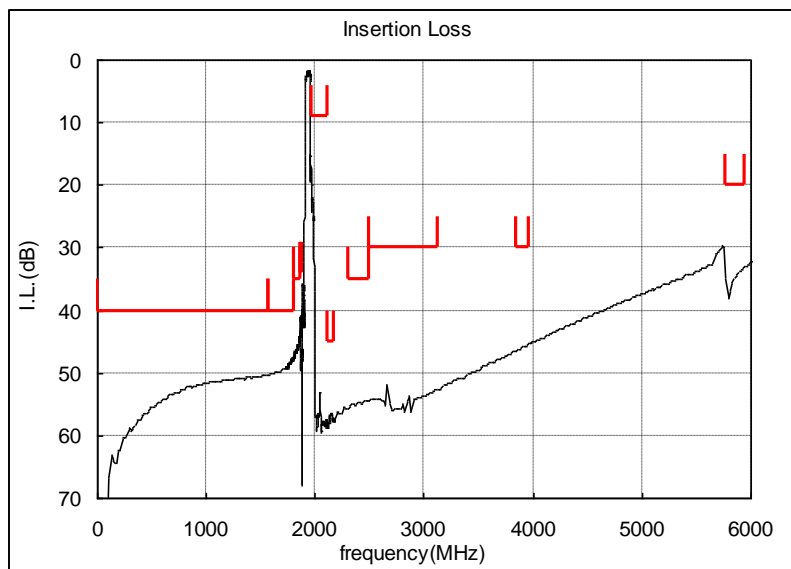
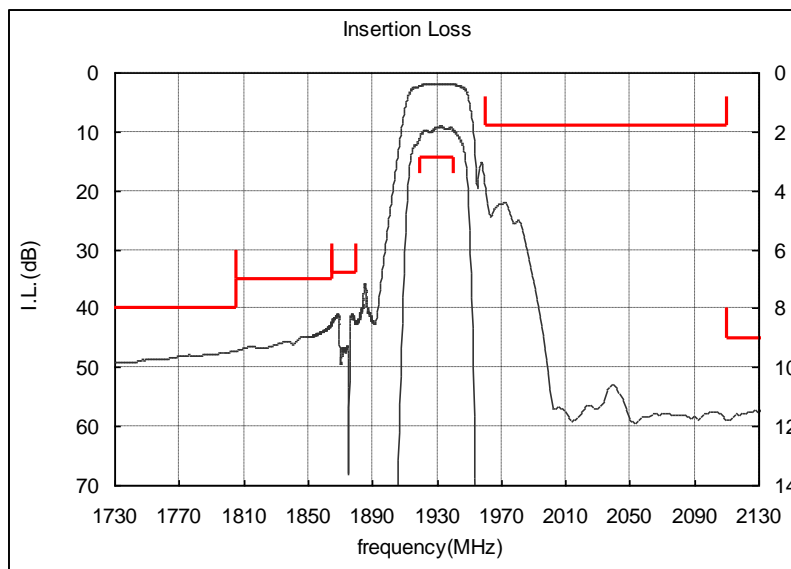
## Specification

Item	Target Specification		
	-30 to 85°C	25±2°C	typ.
Nominal Center Frequency(fc)	1930MHz		
Insertion Loss (1920 to 1940MHz)	2.9 dB max.	2.6 dB max.	2.1 dB
Absolute Attenuation			
1) 0.3 to 1570 MHz	40 dB min.	40 dB min.	49 dB
2) 1570 to 1805 MHz	40 dB min.	40 dB min.	46 dB
3) 1805 to 1865 MHz	35 dB min.	36 dB min.	41 dB
4) 1865 to 1880 MHz	34 dB min.	35 dB min.	40 dB
5) 1960 to 2110 MHz	9 dB min.	13 dB min.	20 dB
6) 2110 to 2170 MHz	45 dB min.	45 dB min.	53 dB
7) 2300 to 2500 MHz	35 dB min.	35 dB min.	51 dB
8) 2500 to 3120 MHz	30 dB min.	30 dB min.	49 dB
9) 3840 to 3960 MHz	30 dB min.	30 dB min.	43 dB
10) 5760 to 5940 MHz	20 dB min.	20 dB min.	30 dB
11) 7670 to 7930 MHz	20 dB min.	20 dB min.	24 dB
Ripple Deviation (1920 to 1940MHz)	1.5 dB max.	1.2 dB max.	0.6 dB
VSWR (1920 to 1940MHz)	1.8 max.	1.8 max.	1.2
Unbalance Port Matching Impedance (nominal)	50Ω		
Input Signal Level	20mW (+13dBm), 2000 hours		

# SAW FILTER FOR CDMA2000 BC6 (Rx)

Murata part number : SAFEB1G93AL0F00

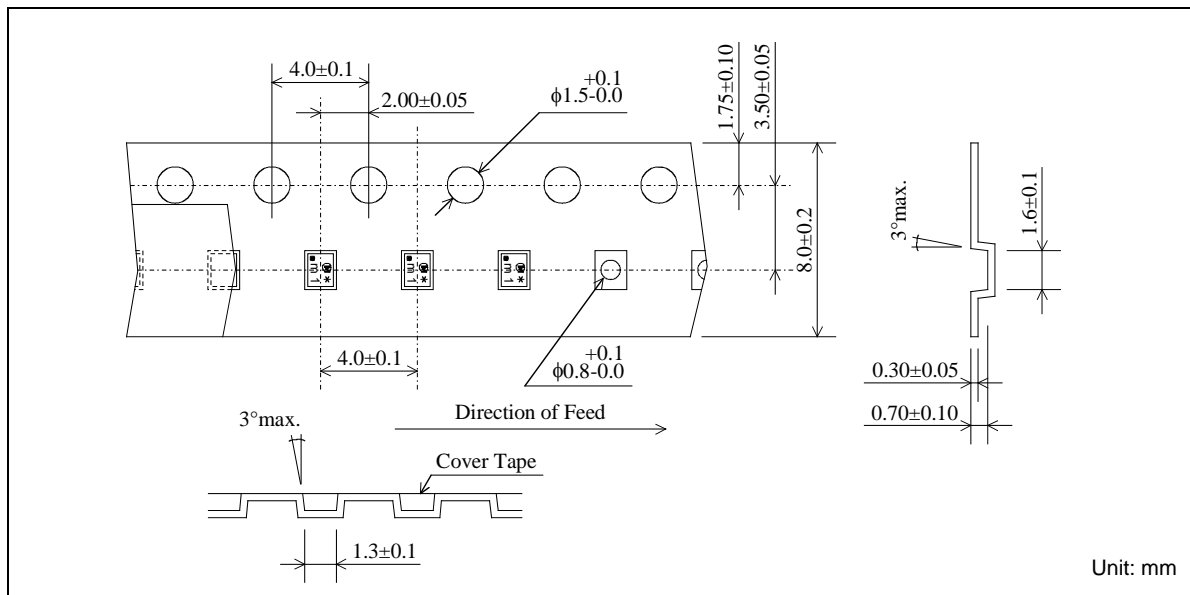
## Frequency Performance



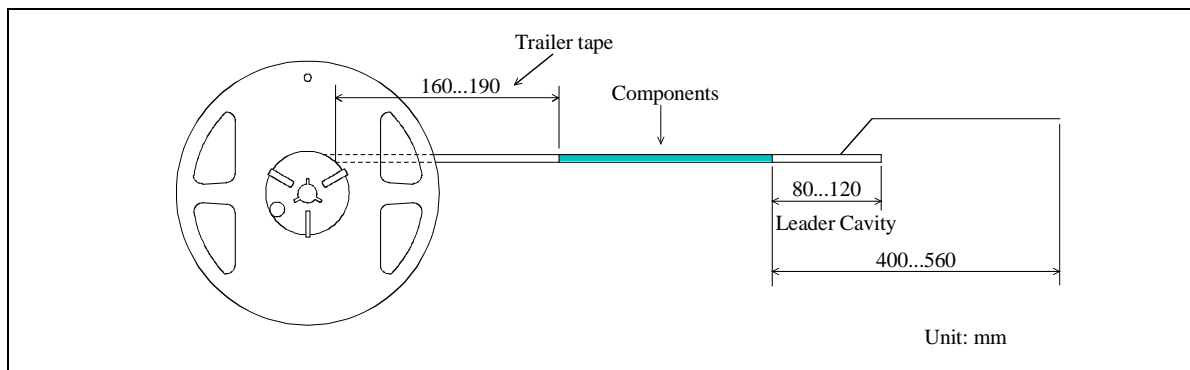
# SAW FILTER FOR CDMA2000 BC6 (Rx)

Murata part number : SAFEB1G93AL0F00

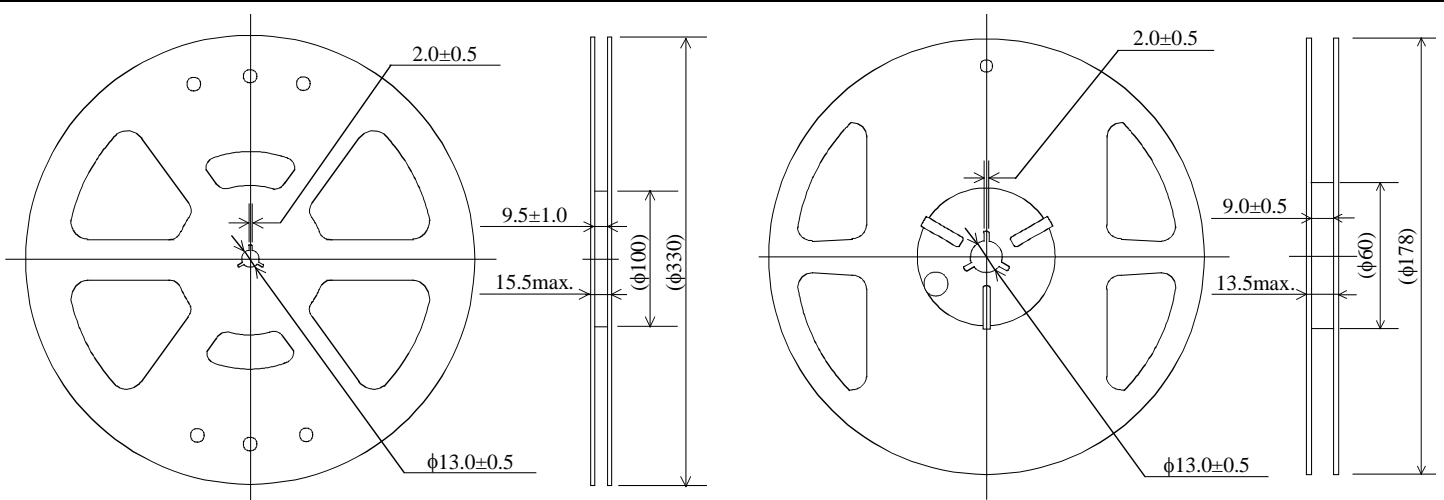
## Dimensions of Carrier Tape



## Dimensions of Tape



## Dimensions of Reel



SAFEB1G93AL0F00R00 ... 10000pcs/reel

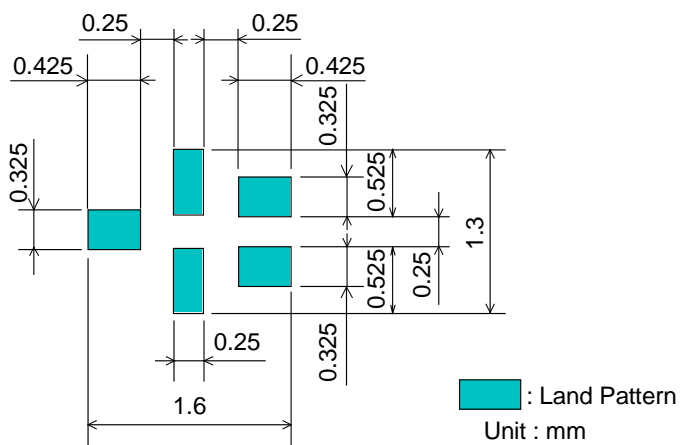
SAFEB1G93AL0F00R15 ... 5000pcs/reel

# SAW FILTER FOR CDMA2000 BC6 (Rx)

Murata part number : SAFEB1G93AL0F00

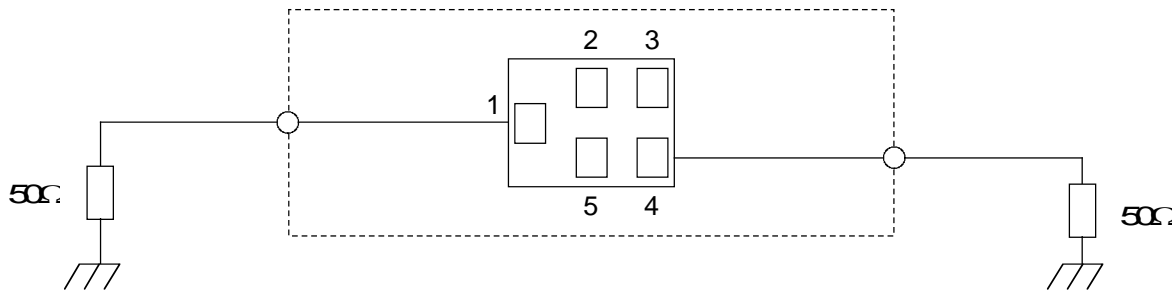
## Recommended Land Pattern

Top View



## Test Circuit

Bottom View



# SAW FILTER FOR CDMA2000 BC6 (Rx)

Murata part number : SAFEB1G93AL0F00

## ■ RoHS Compliance

This component is compliant with RoHS directive.

This component was always RoHS compliant from the first date of manufacture.

### • Caution - Limitation of Applications

This product is intended for the following applications only; however, please do not use this product in these applications where defects might directly cause damage to a third party's life, body or property.

- a. Mobile Telephone
- b. Cordless phone (except for Automotive use)
- c. PC (Including Notebook PC, Netbook PC, Tablet)
- d. Game
- e. Camera (except for Business/security use)
- f. Set Top Box
- g. Electronic dictionary
- h. Digital audio equipment

• This catalog is for reference only and not an official product specification document, therefore, please review and approve our official product specification before ordering this product.